

Edge II Rimless Wall Faced Pan and Slim Seat

Product Code: 203147

| | |
|--------------------|---|
| Includes | 181219 Pan 181226 Seat |
| WELS rating | WELS 4 Star 4.5/3L (3.5L avg. flush) when paired with 133137 in wall cistern |
| Warranty | 20 years - vitreous china 5 years - toilet seat PVD and electroplate finishes, fittings 1 year - seals |



Product Specifications

| | |
|--|---|
| Material | Vitreous china pan, Duroplast seat |
| Cistern compatibility | Compatible with 133137 in wall cistern (sold separately) |
| Rim type | Rimless |
| Seat | Soft close slim seat, quick release metal hinges, toggle fixing kit. |
| Trap type | P-trap set out 185mm. S-trap set out 90mm -105mm as standard (using 136001 20mm offset variance bend supplied). Extended S-trap set out 150mm- 165mm optional (136002 100mm offset variance bend sold separately). Reduced S-trap set out 60-90mm optional (181055 straight variance bend sold separately). Extended S-trap set out 95-125mm optional (181054 50mm offset variance bend sold separately). |
| Inclusions | Wall Faced Pan Slim Seat Variance Bend Floor fixing Installation Instructions |
| Maintenance & care instructions | Clean using a soft sponge or cloth with warm soapy water or detergent. Never use harsh chemicals, abrasive brushes or scourer pads to clean products. Rinse with water immediately after using any cleaning solution. |

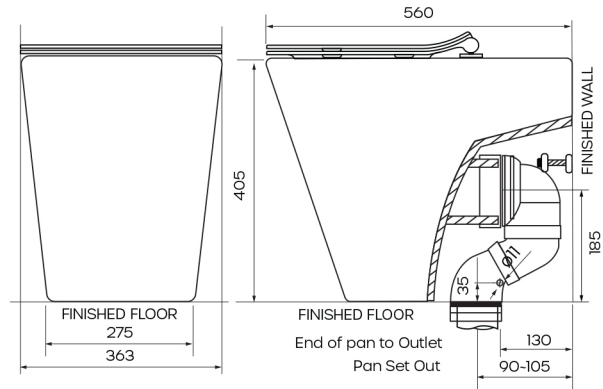
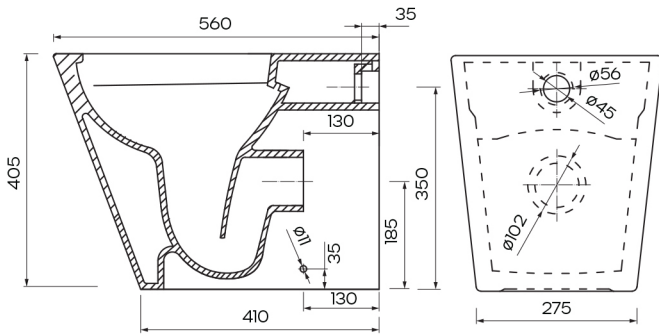
For more information call 1800 BATHROOM (1800 228 476) or visit raymor.com.au

© Registered trademark of Tradelink. All dimensions are in millimetres. Dimensions are approximate and should be checked against the physical product before installation. Changes may be made to this specification without notice due to our commitment to continual improvement. See raymor.com.au for full warranty details.

Raymor[®]

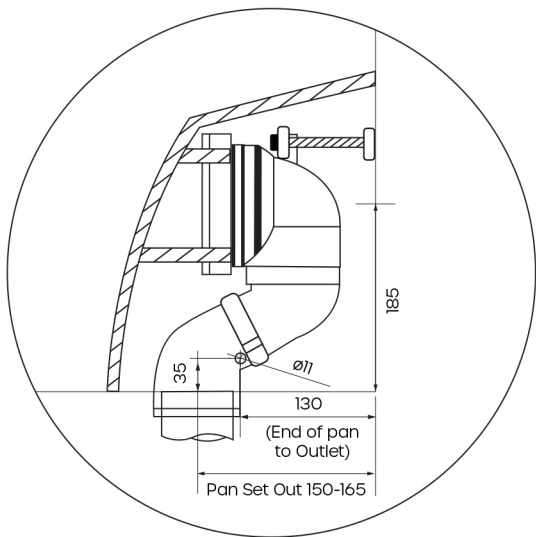
Edge II Rimless Wall Faced Pan and Slim Seat

Product Code: 203147

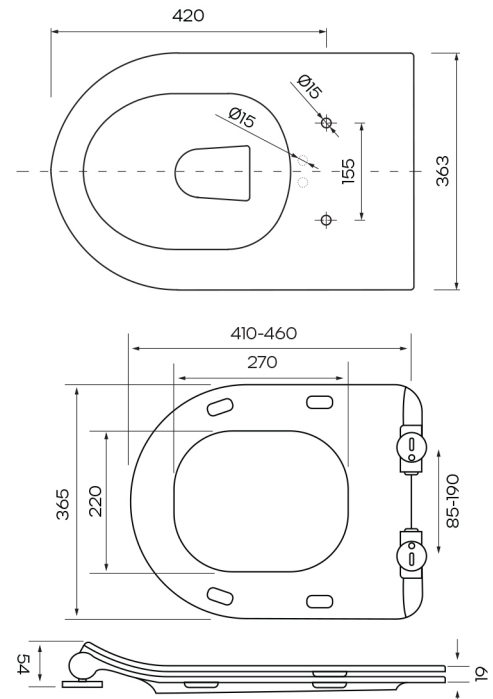


Optional Set Out

with 136002 Pan Connector SOLD SEPERATELY



Toilet Seat



For more information call 1800 BATHROOM (1800 228 476) or visit raymor.com.au

© Registered trademark of Tradelink. All dimensions are in millimetres. Dimensions are approximate and should be checked against the physical product before installation. Changes may be made to this specification without notice due to our commitment to continual improvement. See raymor.com.au for full warranty details.

Raymor®