

Sigma Wall Hung Basin 460 x 380mm.

Product Code: 203078



Product Specifications.

Warranty	20 years - vitreous china 5 years - plug and waste, overflow ring, bottle trap, chrome, PVD and electroplate finishes, fittings; 1 year - seals and labour	Inclusions	Chrome pop up plug and waste with hair catcher Chrome overflow ring Wall fixing kit Installation instructions
Colour	White	Maintenance & Care	Clean using a soft sponge or cloth with warm soapy water or detergent. Never use abrasive brushes or scourer pads to clean products. Rinse with water immediately after using any cleaning solution
Installation Type	Wall Hung		
Material	Vitreous China		
Tap hole	1		
Overflow	Yes		
Width	460mm		
Height	158mm		
Depth	380mm		

For more information call 1800 BATHROOM (1800 228 476) or visit raymor.com.au

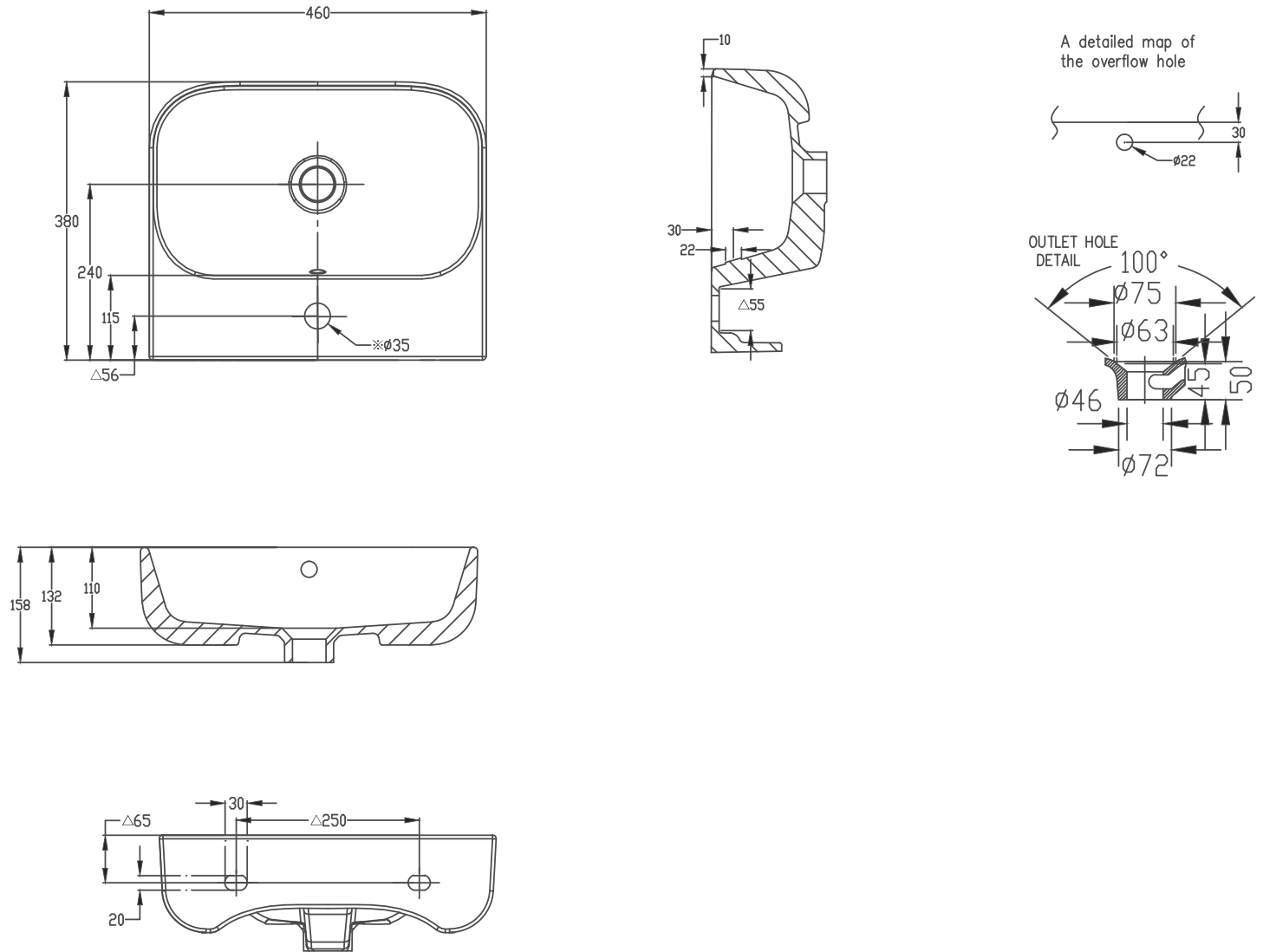
© Registered trademark of Tradelink. All dimensions are in millimetres. Dimensions are approximate and should be checked against the physical product before installation. Changes may be made to this specification without notice due to our commitment to continual improvement. See raymor.com.au for full warranty details.
All dimensions in mm.

Version 1

raymor

Sigma Wall Hung Basin 460 x 380mm.

Product Code: 203078



For more information call 1800 BATHROOM (1800 228 476) or visit raymor.com.au

© Registered trademark of Tradelink. All dimensions are in millimetres. Dimensions are approximate and should be checked against the physical product before installation. Changes may be made to this specification without notice due to our commitment to continual improvement. See raymor.com.au for full warranty details.
All dimensions in mm.

Version 1

raymor