

Edge II Inset Basin 400 x 400mm.

Product Code: 203073



Product Specifications.

Warranty	20 years - vitreous china 5 years - plug and waste, overflow ring, bottle trap, chrome, PVD and electroplate finishes, fittings; 1 year - seals and labour	Inclusions	Chrome pop up plug and waste with hair catcher Chrome overflow ring Installation instructions
Colour	White	Maintenance & Care	Clean using a soft sponge or cloth with warm soapy water or detergent. Never use abrasive brushes or scourer pads to clean products. Rinse with water immediately after using any cleaning solution
Installation Type	Inset		
Material	Vitreous China		
Taphole	1		
Overflow	Yes		
Width	400mm		
Height	163mm		
Depth	400mm		

For more information call 1800 BATHROOM (1800 228 476) or visit raymor.com.au

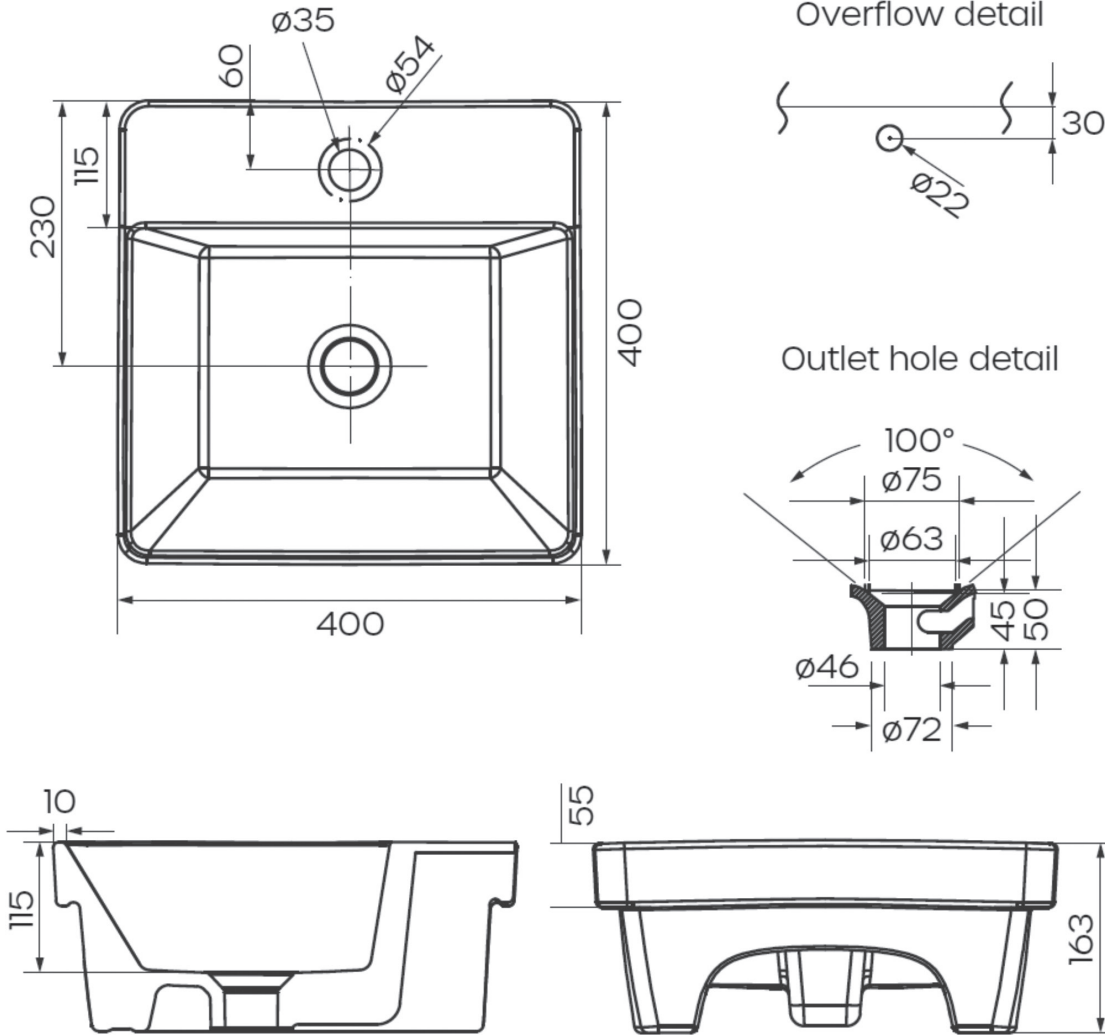
© Registered trademark of Tradelink. All dimensions are in millimetres. Dimensions are approximate and should be checked against the physical product before installation. Changes may be made to this specification without notice due to our commitment to continual improvement. See raymor.com.au for full warranty details.
All dimensions in mm.

Version 1

raymor

Edge II Inset Basin 400 x 400mm.

Product Code: 203073



For more information call 1800 BATHROOM (1800 228 476) or visit raymor.com.au

© Registered trademark of Tradelink. All dimensions are in millimetres. Dimensions are approximate and should be checked against the physical product before installation. Changes may be made to this specification without notice due to our commitment to continual improvement. See raymor.com.au for full warranty details.
All dimensions in mm.

Version 1

raymor