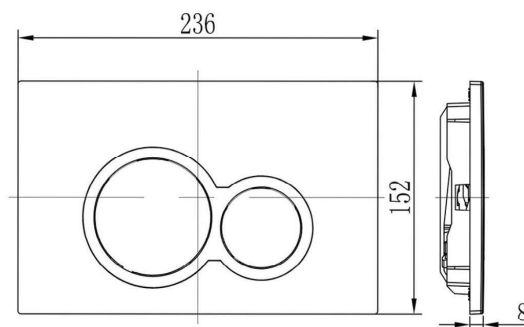


Wall Dual Flush Button Round Brushed Nickel.

Product Code: 275326



Product Specifications.

Warranty	5 years - flush button, PVD and electroplate finishes, fittings.	Operation	Mechanical, half and full flush
Material	ABS	Compatibility	Suitable for installation with In Wall cisterns 133141 and 133137
Colour	Brushed Nickel	Inclusions	1 x Flush Button Installation Instructions *etched logo may vary, updated on 2024 stock
Width	236mm	Maintenance & Care	Surfaces should be regularly cleaned with a soft, dampened cloth or sponge with warm, soapy water. Do not use abrasive brushes, scourers or harsh chemicals as these can damage the finish
Height	152mm		
Depth	8mm		
Design	Round		

For more information call 1800 BATHROOM (1800 228 476) or visit raymor.com.au

© Registered trademark of Tradelink. All dimensions are in millimetres. Dimensions are approximate and should be checked against the physical product before installation. Changes may be made to this specification without notice due to our commitment to continual improvement. See raymor.com.au for full warranty details.

All dimensions in mm.
Version 1

raymor