

# Edge II Toilet Roll Holder with Shelf Black.

Product Code: 275307



## Product Specifications.

<b>Colour</b>	Black	<b>Height</b>	80mm
<b>Warranty</b>	10 years - main body, chrome plated finish & fittings 5 years - PVD & electroplate finishes 1 year - seals & labour	<b>Depth</b>	120mm
<b>Finish</b>	Electroplating	<b>Inclusions</b>	Toilet Roll Holder Installation Instructions
<b>Fixing width Ø to Ø</b>	108mm	<b>Maintenance &amp; Care</b>	Clean using a soft sponge or cloth with warm soapy water or detergent. Never use abrasive brushes or scourer pads to clean products. Rinse with water immediately after using any cleaning solution
<b>Width</b>	197mm		

For more information call 1800 BATHROOM (1800 228 476) or visit [raymor.com.au](http://raymor.com.au)

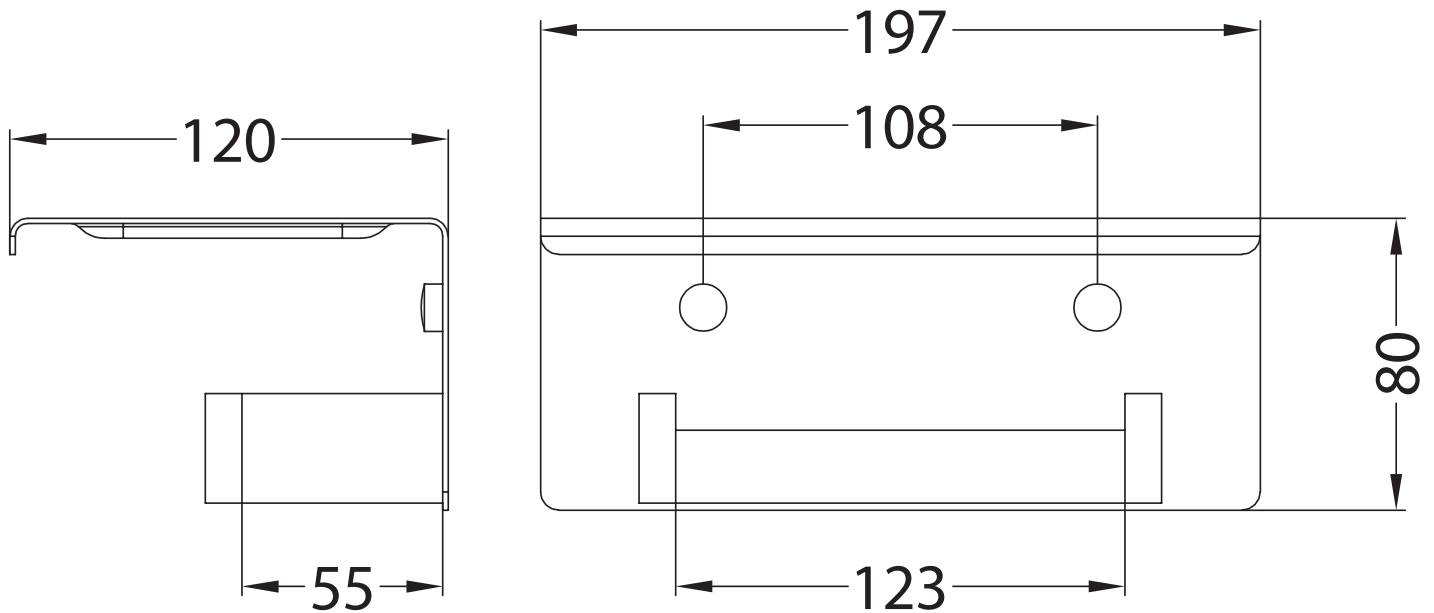
© Registered trademark of Tradelink. All dimensions are in millimetres. Dimensions are approximate and should be checked against the physical product before installation. Changes may be made to this specification without notice due to our commitment to continual improvement. See [raymor.com.au](http://raymor.com.au) for full warranty details.  
All dimensions in mm.

Version 1

**raymor**

# Edge II Toilet Roll Holder with Shelf Black.

Product Code: 275307



For more information call 1800 BATHROOM (1800 228 476) or visit [raymor.com.au](http://raymor.com.au)

© Registered trademark of Tradelink. All dimensions are in millimetres. Dimensions are approximate and should be checked against the physical product before installation. Changes may be made to this specification without notice due to our commitment to continual improvement. See [raymor.com.au](http://raymor.com.au) for full warranty details.  
All dimensions in mm.

Version 1

**raymor**