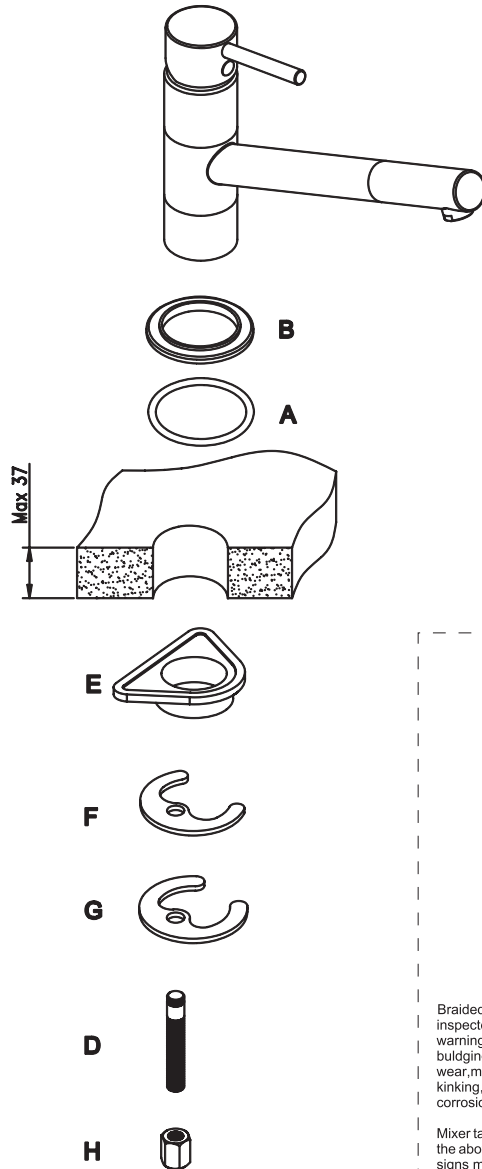


# Installation Instructions

## 133364/275301 Projix Swivel Sink Mixer



### Important Information

This Product is to be installed by a licensed plumber, installation must comply with AS/NZS 3500 and relevant plumbing codes. Isolating stop taps are recommended to be fitted to the hot and cold inlet connections. Please leave this document with the Product after installation.

Please ensure that the lines are flushed prior to installation as contaminants in the water can damage the ceramic disc cartridge, O-rings and flow regulators and affect the performance of the Product. The WELS compliant aerator has been pre-assembled into the outlet (where applicable). To comply with WELS the flow regulated aerator must remain in place.

Before installation, remove Product from packaging and check the Product matches what you have ordered, is complete with all parts (per exploded drawing) and is not damaged. **If the Product is incorrect, damaged or missing parts DO NOT install and return to store** with proof of purchase for a refund or replacement. Installed Products are warranted for genuine manufacturing defects arising in your Product during the course of normal domestic or commercial use for the term of the warranty period. Our manufacturer's warranty does not cover Product which are incorrect or have been installed with pre-existing damage or missing parts.

### Pressure & Temperatures

- Maximum Hydrostatic Pressure - 500kPa. (per AS/NZS3500.1 (Clause 3.3.4) which states "The maximum static pressure at any outlet, other than a fire service outlet, within a building shall not exceed 500kPa." **NB.** Pressures above 500kPa can cause damage from water hammer, reduced life of appliances, taps and fittings, and cause excessive noise in the system.
- Minimum Hydrostatic Pressure - 100kPa. This Product may not be suitable for use with a gravity fed water supply or with continuous flow or instantaneous hot water systems.
- Maximum operating temperature - 65°C.

### Installation Instructions

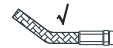
**NB.** A single 35mm Hole is required in the mounting surface. The maximum mounting surface thickness cannot exceed 37mm.

1. Ensuring bench sealing washer (A) is in place on base of Dress Ring (B) screw the Mixer tails (C) into base of the Mixer being careful to avoid damage to the o'ring seals, the Mixer tails are colour coded, Red for hot and Blue for cold, the mixer base inlet holes are stamped with 'H' for Hot and 'C' for cold.
2. Screw threaded rod (D) into base of Mixer.
3. Feed the Mixer tails through the Mounting surface, each end alternatively and position the mixer on the mounting surface ensuring the sealing washer (A) and Dress Ring (B) is positioned correctly.
4. Feed Mixer tails, each alternatively through Stabiliser Plate (E) if supplied.
5. Slide Rubber Horse Shoe (F) onto threaded rod (D) followed by Metal Horse shoe Plate (G).  
**N.B The Mixer Tails should be positioned towards the user and the Fixing bolt to the back.**
6. Using Fixing Nut (H) tighten Mixer to mounting Surface.
7. Connect Mixer tails to Mains Water supply line. We recommend the following guidelines when fitting flexible hoses:

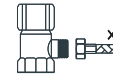
#### DO NOT KINK



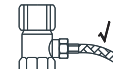
Minimum Bend Radius=72mm



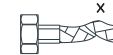
#### DO NOT STRETCH



As a guide, a 300mm long hose should span a direct distance of 260-280mm between mixer base and plumbing supply connection



#### DO NOT TWIST



Avoid Twisting the hose. It should not be necessary to apply excessive force to the end fittings in order to obtain a watertight seal.



Braided flexible hoses should be inspected every 12 months for warning signs of failure including bulging, rust spots, wear, moisture, snapped threads, kinking, water staining, general corrosion or discolouration.

Mixer tails showing any signs of the above mentioned warning signs must be replaced immediately.

8. Ensure Mixer tails are not exposed to abrasives, corrosive agents or similar.
9. It is recommended that in-line filters be installed to ensure a cleaner flow of water to the Mixer.

#### Warranty Provider

Tradelink Pty Limited ABN 29 000 003 832 of 1051 Nudgee Rd Banyo QLD 4014, (Tradelink) offers warranties on each of the Products set out in Schedule A (Product(s)) for the warranty periods specified, the details of which are set out in this document (Raymor Warranty). This Raymor Warranty is effective as of **15<sup>th</sup> June 2022** and supersedes and replaces any previous version of this document. Contact details for Tradelink are 1800 228 476, and the mailing address above.

#### Raymor Warranty

This Raymor Warranty only covers the Products set out in **Schedule A**. This Raymor Warranty does not extend to items that You have selected outside this range, including the items set out in Schedule B. Your Raymor Warranty commences from the date of purchase of Your Product (or, for new buildings, on the date of handover) for the relevant period set out in Schedule A and is valid for **Products purchased on or after the 1st March 2014**. The Raymor Warranty only applies to You if You are the original purchaser of the Product. It is not transferable.

#### What We Will Do

Subject to the terms and exclusions contained in this Raymor Warranty document, where a genuine manufacturing defect arises in Your Product during the course of normal Domestic Use or Equivalent Commercial Use within the warranty period set out in Schedule A, Tradelink will, at its election, repair the defect (without cost to You for labour or replacement parts) or replace the Product.

If a Raymor Warranty service call finds that your Product does not have a genuine manufacturing defect, Tradelink reserves the right to charge you a service fee. Tradelink reserves the right to provide You with replacement parts or components as 'parts only'.

#### How to make a warranty claim

To make a claim, contact the Tradelink branch where the Product was purchased, as shown on Your Tradelink Tax Invoice. Your nearest Tradelink showroom can be contacted on **1800 BATHROOM (1800 228 476)**. The following must be supplied to Tradelink with Your claim:

- Tradelink Tax Invoice or equivalent Proof of Purchase; and
- Your contact details; name, address, phone number and email; and
- A photo of Your Product showing the defect in question (if applicable);

**If the Product has not been installed, the Product can be returned with proof of purchase to the place of purchase.** Installed Products are warranted for genuine manufacturing defects arising in Your Product during normal domestic use for the warranty period. Our manufacturer's warranty does not cover Products that are incorrect, installed with pre-existing damage or missing parts. You must bear your own costs in making a warranty claim. However, if the cost of returning any defective Product is unreasonable, contact Tradelink so that We can arrange a collection, if appropriate.

#### SCHEDULE A: PRODUCT WARRANTY AND WARRANTY PERIODS

Raymor Product sold after 1st March 2014 (Exclusions Apply)	
Category	Warranty Periods#
<b>Mixers</b>	20 years - mixer cartridge, mixer body, aerator, nylon braided flexible hoses, spout, handle, and chrome plated finish 10 years - handpieces and pull-down/out hoses, PVD and electroplate finishes 1 year - seals and labour
<b>Three Piece Tapware</b>	15 years - ceramic disc SSAs, spindle SSAs, body, spout, flanges, handles, aerators, fittings, and chrome plated finish 5 years - PVD and electroplate finishes 1 year - seals, jumper valves and labour
<b>Sinks &amp; Tubs</b>	25 years - sink & tub body 5 years - cabinet, wastes, clips, bypass kit, hoses 1 year - seals and labour
<b>Toilets</b>	20 years - vitreous china, nylon braided flexible hoses and chrome plated finish 15 years - plastic cistern, in-wall cistern frame 5 years - inlet and outlet valves, toilet seat, link piece, flush pipe, flush button, PVD and electroplate finishes, fittings 1 year - seals and labour
<b>Basins</b>	20 years - vitreous china 5 years - plug and waste, overflow ring, bottle trap, chrome plated, PVD and electroplate finishes, fittings 1 year - seals and labour
<b>Showers</b>	20 years - brass body, wall elbow, shower arm, shower rail, PVC coated hose, showerhead, handpiece, slide bracket, diverter, soap dish, and chrome plated finish 5 years - PVD and electroplate finishes 1 year - seals and labour
<b>Vanities</b>	20 years - vitreous china top 10 years - polymarble top, cabinet, handles, runners, hinges 5 years - plug and waste, overflow ring and finishes 1 year - seals and labour
<b>Accessories</b>	10 years - main body, chrome plated finish and fittings 5 years - PVD and electroplate finishes 1 year - seals

#Some Products are excluded from the above warranty table and are warranted per the Raymor Exclusions table below.

#### Raymor Exclusions (Product not included in the above table)

Exclusions	Warranty Periods
Surrey Mixers, Tapac Three Piece Tapware, Verge, Crest & Coen Toilet Suites, All Directional Showers, Austin, Brighton & Projex Vanities.	5 years - ceramic disc cartridge and SBAs, vitreous china, polymarble top, cabinet, 1 year - body, shower head, shower arm, plastic handpiece, hose, jumper valve, seals, tails, fittings, finish, plastic cistern, valves, seat, aerators, O-rings, labour
Clearance, ex-display, items sold "as is", spare parts and components (including basin wastes, bath wastes, bottle traps, toilet seats)	1 year – replacement parts only

#### SCHEDULE B: ITEMS COVERED BY A SEPARATE MANUFACTURER'S WARRANTY

Your warranty does not extend to the items listed below and these items are sold with the warranty provided by the manufacturer, in addition to any rights and remedies You may have under the Australian Consumer Law. Please refer to any warranty document provided by the manufacturer named below or contact the manufacturer for details.

Category	Range	Manufacturer warranty provider
<b>Vanities</b>	Salt, Wentworth	Architectural Designer Products Pty Ltd
	Eco, Hampton	Marquis Bathroom Products Pty Ltd
	Outline, Ease, Stasis, Ocean	Showerama Products Pty Ltd
<b>Water Filters</b>	Filtration Systems	Puretec Pty Ltd
	Cartridges	Puretec Pty Ltd
<b>Brass Cartridge Mixers</b>	Banjo BC	Ramtaps Pty Ltd
<b>Mixers</b>	Alor, Lavas	Phoenix Industries Pty Ltd T/A Phoenix Tapware
<b>Baths &amp; Spa Baths</b>	Alpha, Aruba, Jamaica, Projix, Recline, Sigma, Winton	Decina Bathroomware Pty Ltd
<b>Shower Systems</b>	Trinidad, Luna (screens, enclosures & bases)	Decina Bathroomware Pty Ltd

#### What is not covered

Your Raymor Warranty does not cover any defect or damage caused or partly caused, by or arising through: fair wear and tear (e.g. working seals in the inlet and outlet valves, scratching from cleaning, loose toilet seat fixings, etc.); misuse, incorrect storage or handling of the Products; failure to correctly install, use or maintain the Product or to follow any instructions or guidelines for installation, use or maintenance of the Product; adverse environmental conditions; faulty design of a system in which the Products are used; the use of the Product otherwise than for any application specified on a quote or order form, price book or catalogue issued by Tradelink; the continued use of the Product after any defect becomes apparent or would have become apparent to a reasonably prudent operator or user; or any accident or force majeure.

Your Raymor Warranty will be voided if any of the events detailed below arise:

- You are unable to provide proof of purchase or equivalent documentation from an authorised retailer of a Product;
- the Product is not installed by a licensed plumber and/or electrician (as appropriate);
- the Product is not installed in accordance with relevant Australian Standards, NCC and state regulations;
- the Product is not installed in accordance with the manufacturer's installation instructions;
- the Product is not maintained in accordance with the manufacturer's care information or is not regularly inspected for sign of failure;
- the water pressure or water temperature exceeds stated limitations as per the Product installation instructions;
- isolation stop taps are not fitted per AS/NZS 3500 requirements for appliances and apparatus or the manufacturer's installation instructions;
- repair, service, alteration, modification or replacement has been undertaken without the prior approval of Tradelink or are undertaken with non-approved, non-standard or non-genuine replacement parts;
- the Product has been installed incomplete or missing components, with pre-existing damage, or with obvious defect;
- the Product is used for an incorrect application such as non-potable water, or inappropriate fittings used to connect to sewer;
- the Product is used with additives (i.e. chemicals, disinfectants or additives in cisterns) or devices (e.g. spout valves, adaptors or filters);
- the removal of, failure to install, or failure to regularly clean or replace flow regulators or check valves supplied with Product;
- damage has been caused to any Product as a result of obstruction or damage due to inadequate flushing of system or problems caused by water supply (e.g. silt, thread tape, silicone, copper shavings, corrosion and excessive water pressure over 500kpa);
- damage is caused to any Product surface, finish or protective coating by adhesives, sealants, or any caustic, corrosive, abrasive or harsh product (e.g. solvent, disinfectant, dye, bleach, oil, polish, acid, degreaser, alcohol, aerosol, etc.);
- damage has been caused to any Product surface, finish or protective coating by ferrous metal or oxidant;
- damage has been caused to the Product from installation or post installation use, abuse, misuse or lack of maintenance.

Prior to installation of Your Product it is the responsibility of You and/or the installer to ensure that:

- the Product is not damaged;
- You are happy with Your purchase;
- the Product has all its components; and
- all required maintenance is performed.

#### Limitation of liability under Raymor Warranty

To the fullest extent permitted by law and subject to and without limiting Your consumer rights under the Australian Consumer Law, Tradelink expressly limits its liability under this Raymor Warranty and under any other statutory guarantee imposed at law to, at its option:

- the replacement or repair of the Product;
- the supply of an equivalent Product; or
- the payment of the cost of the Product of repairing the Product or of acquiring an equivalent Product.

Tradelink requires reasonable and adequate access to Products, fittings, and fixtures to undertake warranty repairs during normal weekday working hours. To the fullest extent permitted by law and subject to and without limiting your consumer rights under the Australian Consumer Law, Tradelink will not be responsible for any loss, damage or costs where reasonable and adequate access to Products, fittings and/or fixtures is not provided, or where Product has been installed with pre-existing damage, missing parts or Product containing obvious or visible fault.

To the fullest extent permitted by law, Tradelink expressly excludes all liability for damage or injury to any person, damage to any property, any kind of loss (including loss of profit, loss of revenue, loss of use, loss of business, loss of opportunity, loss of goodwill, loss of contracts, loss of production, business interruption or any kind of indirect, special or consequential loss or damage arising in connection with the Product) and all conditions, warranties, and undertakings in relation to the Products, except as set out in this document.

Where parts or products are replaced or supplied under this warranty, the replacement parts or product shall be warranted from the original Product date of purchase. In the event the Product is unavailable or unable to be supplied and a replacement is required, Tradelink reserves the right to supply Product of equal quality, value, and type at their discretion. Where a Product is coupled or used with a product other than a Product, the Raymor Warranty is limited only to the Product.

#### Definitions and Interpretation

In these terms and conditions of warranty: "You" means the purchaser or customer acquiring the Goods and "Your" means belonging to You. "We" and "Us" means Tradelink as the manufacturer of the Goods and "Our" means belonging to Us. "Goods" means the Goods You claim to be defective. "Equivalent Commercial Use" is defined as all use equivalent to normal domestic use for other than normal residential domestic purposes. Equivalent Commercial Use includes the use of Products in non-business or non-commercial settings (such as public buildings, educational settings, not-for-profit organisations, sports centre communal spaces, lunchrooms, hotel rooms, home offices or in-home business settings). Equivalent Commercial Use excludes the use of Products in commercial food service (e.g. kitchens, restaurants, cafes, commercial food preparation spaces and manufacturing facilities, etc.).

#### Care Information

To ensure You receive the longest lasting Product life possible, We offer the following general advice for the care and maintenance of Your Products:

- Regularly clean with warm, soapy water or detergent. Do not use harsh, caustic, corrosive or abrasive chemicals;
- Use a soft, dampened sponge or cloth. Never use an abrasive brush, pad, cloth, or scourer to clean Products;
- Chrome, stainless steel and metallic finishes should never be cleaned with chlorides, steel wool, wire brushes; and
- Wipe surfaces clean and thoroughly rinse with water immediately after exposure to any cleaner or chemical solution.
- Ensure that Products are regularly maintained and inspected by a licenced plumber for signs of failure or wear.

Plastic, stainless steel, chrome, brass, metallic finish, vitreous china, glass, resin and polymarble Products are generally considered to be stain-resistant and durable but care should be taken in their use and maintenance as they are not stain-proof or scratch proof. Vanity cabinets are manufactured from moisture-resistant materials but are not waterproof and care should be taken to wipe up spills and drips immediately, and use in a well-ventilated environment.

#### Australian Consumer Law

Our goods come with guarantees that cannot be excluded under the Australian Consumer Law. You are entitled to a replacement or refund for a major failure and compensation for any other reasonably foreseeable loss or damage. You are also entitled to have the goods repaired or replaced if the goods fail to be of acceptable quality and the failure does not amount to a major failure. This Raymor Warranty against defects operates in addition to Your rights and remedies under the Australian Consumer Law.