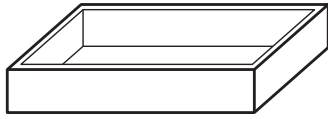


Wall Mount Sink Installation (Timber Frame Wall)

Mount these basins bracket **before tiling**:

Shelf Oval, Bowl + Bowl (two tone), Cube, Box + Box (two tone), Pill, Prism Circle + Rectangle, Stepp Circle and Rectangle, Hoop, Vesl Square and Rectangle, Tubb, Funl.

YOUR WALL MOUNT SINK KIT WILL CONTAIN:



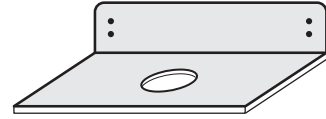
CONCRETE SINK X 1



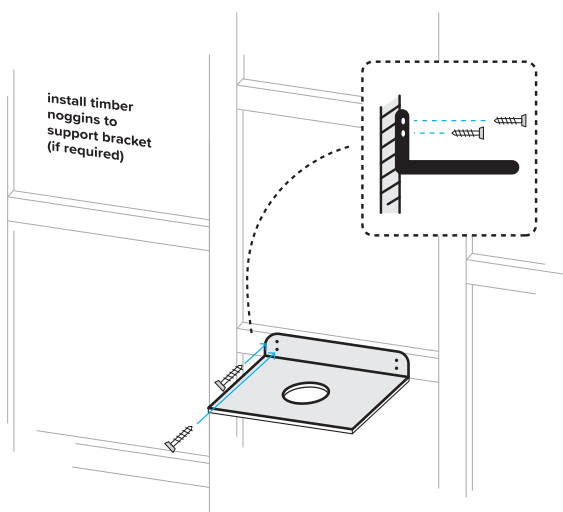
SCREWS



GLUE

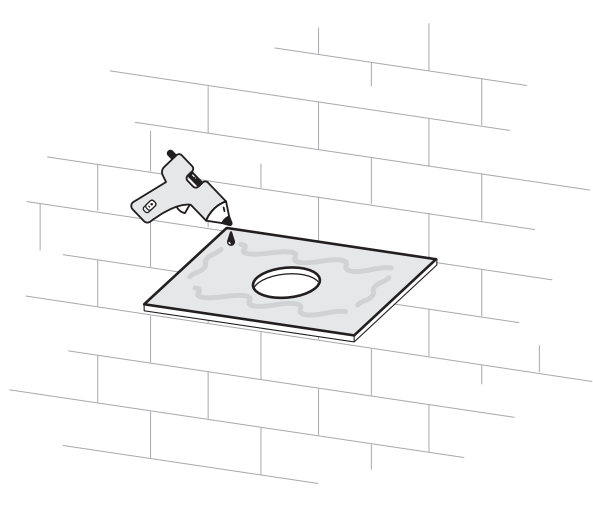


WALL MOUNT PLATE
(DESIGN VARIES PER SINK)



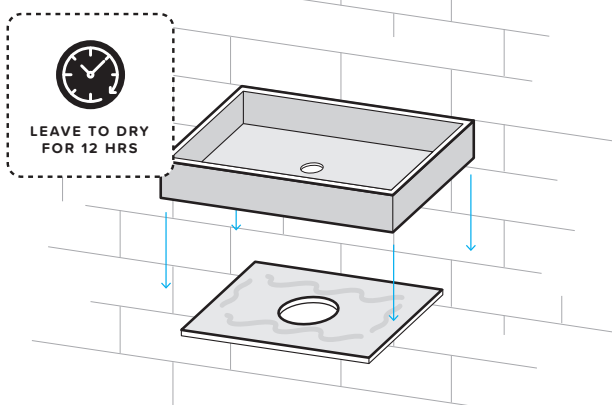
01

Screw bracket to timber frame noggins, bracket upright to sit flush with frame



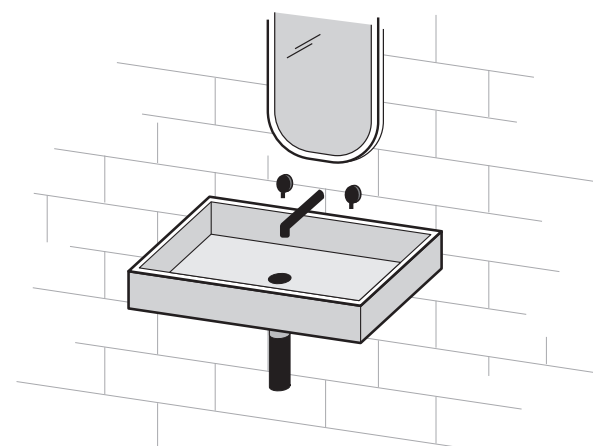
02

Sheet and tile over timber frame wall, then apply adhesive to bracket



03

Lower basin onto glued brackets firmly, ensure basin is placed centrally



04

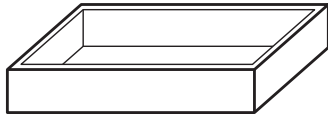
Allow glue to dry for 12 hours prior to installing plumbing fixtures. Enjoy.

Wall Mount Sink Installation (Masonry Wall)

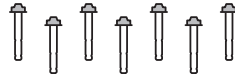
Mount these basins bracket **before** tiling:

Shelf Oval, Bowl + Bowl (two tone), Cube, Box + Box (two tone), Pill, Prism Circle + Rectangle, Stepp Circle and Rectangle, Hoop, Vesl Square and Rectangle, Tubb, Funl.

YOUR WALL MOUNT SINK KIT WILL CONTAIN:



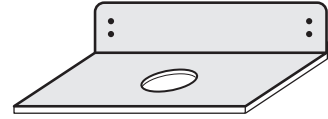
CONCRETE SINK X 1



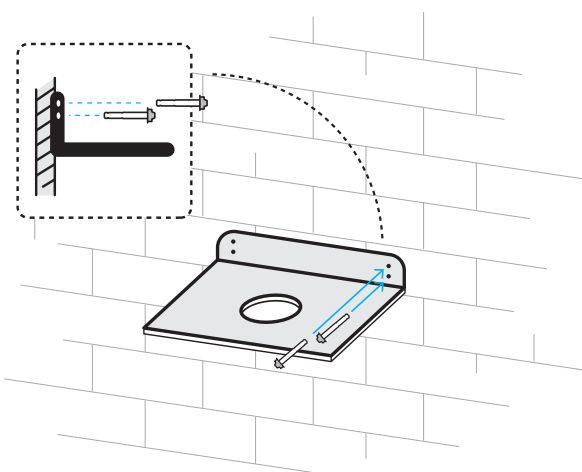
BOLTS



GLUE

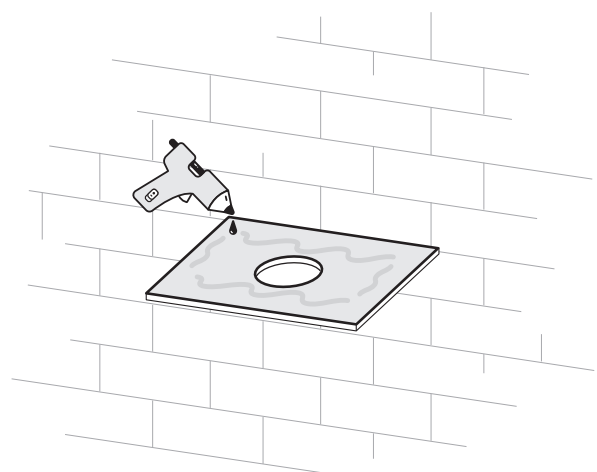


WALL MOUNT PLATE
(DESIGN VARIES PER SINK)



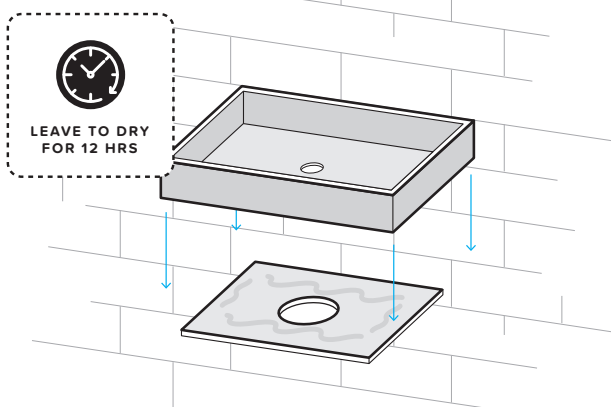
01

Bolt bracket to masonry wall, ensuring bracket is placed at level height



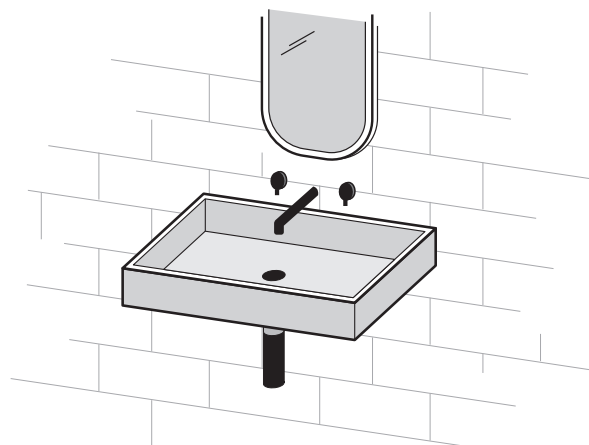
02

Render and tile wall, then apply adhesive to bracket



03

Lower basin onto glued brackets firmly, ensure basin is placed centrally



04

Allow glue to dry for 12 hours prior to installing plumbing fixtures. Enjoy.