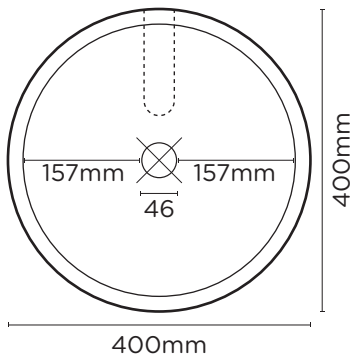




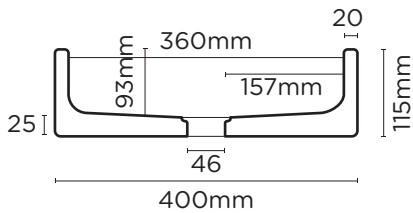
## Hoop

With a sleek, thinner wall, the Hoop Basin adds a refined touch to the bathroom.

### PLAN VIEW



### SECTION VIEW



### SPECIFICATIONS

<b>MATERIAL</b>	UHP Concrete
<b>FINISH</b>	Matte / Low Sheen
<b>WEIGHT</b>	10kg (22lbs)
<b>DIMENSIONS</b>	D400mm x H115mm (D15in x H4in)
<b>BOWL CAPACITY</b>	8.9L (2.35gal)
<b>TAP HOLE</b>	N/A
<b>OVERFLOW AVAILABLE</b>	N/A
<b>WASTE RQD</b>	32mm Standard (1 1/4in) not provided
<b>WARRANTY</b>	24 months
<b>WASTE HOLE SIZE</b>	46mm (1.8in)
<b>WALL THICKNESS</b>	20mm
<b>OPTIONS</b>	Surface Mount / Wall Hung / Stand / Cylinder
<b>WALL HANG RQD</b>	Mount before tiling - to timber frame or masonry wall.

All dimensions are estimate. We suggest waiting until receiving Nood basins before cutting holes in cabinetry items. Colours of concrete may vary slightly.

### WALL HUNG BRACKET



8mm aluminium powdercoated. Bracket, fixings, adhesive provided with each wall hung basin purchased.

### AVAILABLE COLOURS



L365mm x W300mm x H90mm  
(L14.3in x W11.8in x H3.5in)

#### THICKNESS

Wall Hang Bracket: 8mm (0.3in)  
L Bracket: 3mm (0.1in)

#### WEIGHT

Wall Hang Bracket: 1.76kg (3.88lbs)  
L Bracket: <250g (0.5lbs)

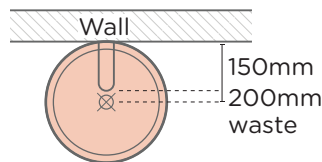
#### INSTALLATION

Timber Wall: [tiny.cc/udkhlz](http://tiny.cc/udkhlz)  
Masonry Wall: [tiny.cc/Ogkhlz](http://tiny.cc/Ogkhlz)

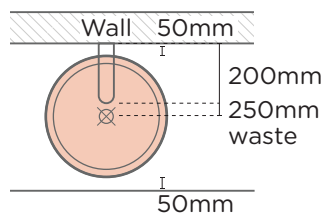
Basin to be mounted after tiling.

### SUGGESTED TAP / FAUCET POSITION & LENGTH

#### WALL HUNG BASIN



#### SURFACE MOUNTED BASIN



### INSTALL HEIGHT

