

Projix 5 Function Hand Shower

Chrome

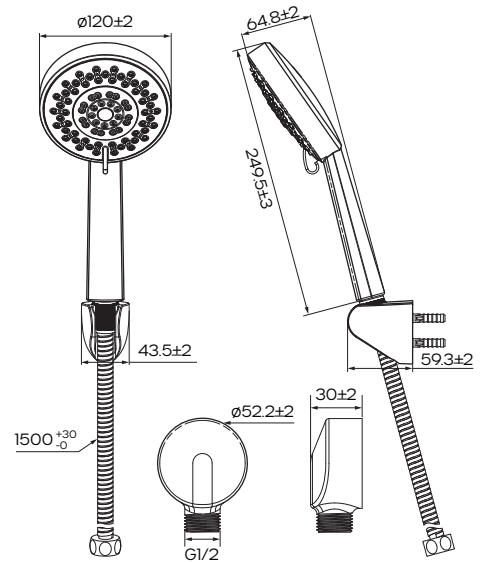
Product Code: 166160

**WELS Rating
Warranty**

WELS 3 Stars 9L/min
20 years - Shower Body, Rail, PVC Coated Hoses, Handpieces, Sliders, Soap Dish and Chrome Finish
5 years - PVD and Electroplate Finishes
1 year - Seals and Labour

Product Specifications

Colour	Chrome
Finish	Electroplated
Material	Electroplated Brass and painted ABS
Function	5 Function: Spray, Massage, Spray & Massage, Mist, Drop
Inclusions	1 x Hand Shower with hose Install Instructions
Country of Manufacture	China
Maintenance & Care	Surfaces should be regularly cleaned with a soft, dampened cloth or sponge with warm, soapy water or mild detergent only. Do not use abrasive brushes, scourers, cleaners or harsh chlorides or chemicals as these can damage the finish



For more information call 1800 729 667 or visit raymor.com.au

© Registered trademark of Tradelink. All dimensions given are approximate and should be checked prior to installation. See raymor.com.au for full warranty details.

Raymor®