

# Projix Bath or Shower Mixer

Brushed Nickel

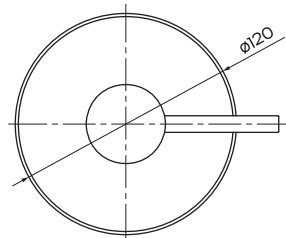
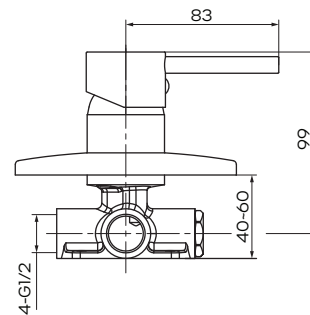
Product Code: 203008

## WELS Rating Warranty

N/R  
20 years - Mixer Cartridge,  
Body, Aerator, Hoses, Spout,  
Handle and Chrome Finish  
10 years - Handpieces and  
pull-down/ Hoses  
5 years - PVD and  
Electroplate Finishes  
1 year - Seals and Labour

## Product Specifications

<b>Finish</b>	Electroplated
<b>Material</b>	DZR Brass
<b>Mounting</b>	Wall
<b>Cartridge</b>	35mm Ceramic Disc
<b>KPA (min/max)</b>	50/500kPa
<b>Inclusions</b>	1x Wall Mixer Install instructions
<b>Country of Manufacture</b>	China
<b>Maintenance &amp; Care</b>	Surfaces should be regularly cleaned with a soft, dampened cloth or sponge with warm, soapy water or mild detergent only. Do not use abrasive brushes, scourers, cleaners or harsh chlorides or chemicals as these can damage the finish



For more information call 1800 729 667 or visit [raymor.com.au](http://raymor.com.au)

© Registered trademark of Tradelink. All dimensions given are approximate and should be checked prior to installation. See [raymor.com.au](http://raymor.com.au) for full warranty details.

**Raymor**<sup>®</sup>