

Winton Compact Dual Shower Square

Brushed Nickel

Product Code: 202988

WELS Rating Warranty

WELS 3 Stars 9L/min
20 years - Shower Body, Rail, PVC Coated Hoses, Handpieces, Sliders, Soap Dish and Chrome Finish
5 years - PVD and Electroplate Finishes
1 year - Seals and Labour

Product Specifications

Colour

Brushed Nickel

Finish

Electroplated brass and painted ABS

Material

Brass Rail and diverter
ABS Shower Rose, hand piece and slider
PVC Hose

Function

Single function hand shower

Shower Reach

400mm

Diverter Operation

Twist, 1/4 turn Ceramic Disc

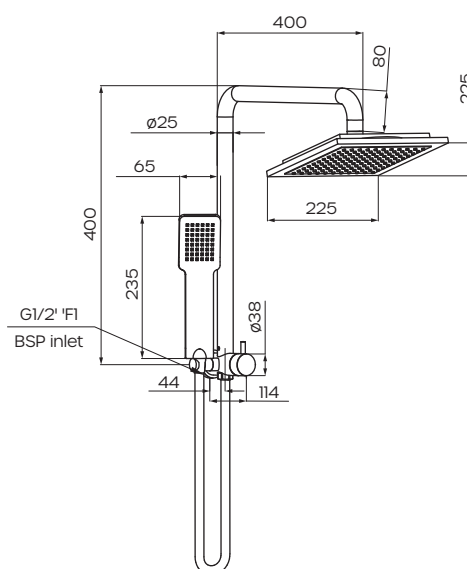
Inclusions

1x Compact Dual Shower rail with diverter
1x Shower Rose
1x Hand shower with hose
Fixing kit
Install instructions
China

Country of Manufacture

Maintenance & Care

Surfaces should be regularly cleaned with a soft, dampened cloth or sponge with warm, soapy water or mild detergent only. Do not use abrasive brushes, scourers, cleaners or harsh chlorides or chemicals as these can damage the finish



For more information call 1800 729 667 or visit raymor.com.au

© Registered trademark of Tradelink. All dimensions given are approximate and should be checked prior to installation. See raymor.com.au for full warranty details.

Raymor®