

Winton Dual Shower Square

Brushed Nickel

Product Code: 202990

WELS Rating Warranty

WELS 3 Stars 9L/min
20 years - Shower Body,
Rail, PVC Coated Hoses,
Handpieces, Sliders, Soap
Dish and Chrome Finish
5 years - PVD and
Electroplate Finishes
1 year - Seals and Labour

Product Specifications

Colour

Brushed Nickel

Finish

Electroplated brass and
painted ABS

Material

Brass Rail and diverter
ABS Shower Rose, hand piece,
slider and soap dish
PVC Hose

Function

Single function hand shower

Shower Reach

420mm

Diverter Operation

Twist, 1/4 turn Ceramic Disc

Inclusions

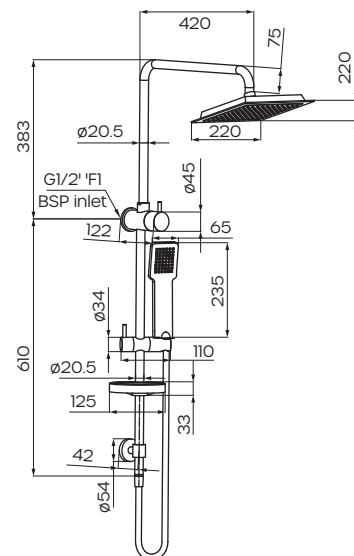
1x Dual Shower rail with diverter
1x Shower Rose
1x Hand shower with hose
1 x Hand shower slider
1 x Soap Dish
Fixing kit
Install instructions
China

Country of

Manufacture

Maintenance & Care

Surfaces should be regularly
cleaned with a soft, dampened
cloth or sponge with warm,
soapy water or mild detergent
only. Do not use abrasive
brushes, scourers, cleaners or
harsh chlorides or chemicals as
these can damage the finish



For more information call 1800 729 667 or visit raymor.com.au

© Registered trademark of Tradelink. All dimensions given are approximate and should be checked prior to installation. See raymor.com.au for full warranty details.

Raymor®