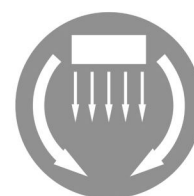


ZUMI

Java Concealed In Wall Cistern

4.5/3 Litter Dual Flush With Java Wall Faced
Rimless Pan and Inwall Cistern With
Stainless Steel Flush Plate



Rimless





4.5/3 Litter Dual Flush With Java Wall Faced Rimless Pan



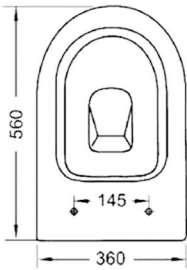
Rimless

Java Concealed In Wall Cistern

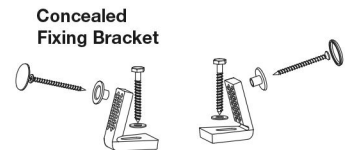
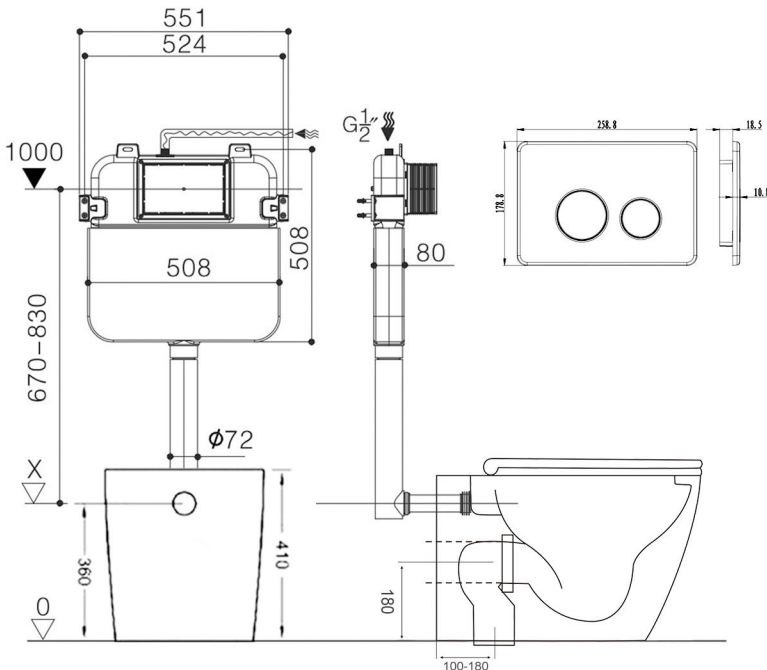


A sharp, symmetrical designed wall faced concealed toilet suite comprises the Java pan and trusted Zumi Concealed in wall cistern, and is targeted for commercial applications, but is also suitable for domestic use. The pan connection system includes the 90 degree plastic S-trap setout range is from 100mm-180mm with a recommended setout of 100mm. The One button release slim design soft closing toilet seat comes with this Java wall faced rimless pan. Choose from a variety of stainless steel flush plate buttons from the Java range to complete your bathroom desired look.

- Pan:** Java Wall Faced Dual Flush Rimless Pan
- Traps:** Universal trap for S or P-trap installations.
- Inlet:** 50mm back inlet for concealed cistern and flush valve installation.
- Seats:** The Java soft close toilet seat is provided with one button quick release. A quality solid section compression moulded toilet seat, fitted with metal hinges.
- Colours:** White only.



Model Name: Java
Code: Java-3178
Warranty: 15 years Warranty on Ceramic Pan, 15 years free replacement Of Concealed Inwall cistern parts, First 12 months on site support, 1 year warranty on the soft closing toilet seat



Note: All height dimensions to underside of pan, make allowance for bedding when installing.

Bedding: The pan should be fixed to the floor with a sand cement mixture of 3:1 to a depth of 60mm. Do not use lime or fast drying cement in the bedding mixture. When bedded the back of the foot of the pan should be approximately 10mm above the finished floor.

Bracket fixing: The pan should be bedded with an acetic cured silicone sealant and fixed with the Fixing Brackets supplied.