

Monaco

Overmount Sink Installation Instructions

1. Remove sink from packaging.
2. Place sink on bench upside down in the desired position.
3. Using a pencil, chalk or something easily removable, trace around the edge of the sink and then remove sink.
4. Measure approximately 12.5mm inside the traced line and then carefully cut out the hole in the benchtop. Please note: Before cutting check that the sink is placed in the desired position.
5. For a normal thickness benchtop the enclosed fixing clips should be suitable. Lightly hammer the fixing clips onto the clip brackets at equal points along the product rim (see Figure A). If the thickness on the benchtop exceeds the range of the fixing clips then extension clips can be purchased and mounted onto the clip brackets.
6. Position the sink in the cut out hole so that it is properly aligned. Check that the sealing tape will seal evenly around the edge of the hole.
7. Remove the sink and install the waste assemblies and remove the tap (if required). It is suggested that silicone sealer be used between the waste grate holes.
8. Remove the protective backing from the sealing tape, apply a continuous bead of silicone sealer between the sealing tape and the edge of the product. Quickly place the sink in position.
9. Close the fixing clip hinges as shown in Figure C.
10. Tighten the fixing clips evenly, using a low torque setting on any electric screw driver used. Overtightening may strip the thread.
11. Plumb up the tap and waste fittings.

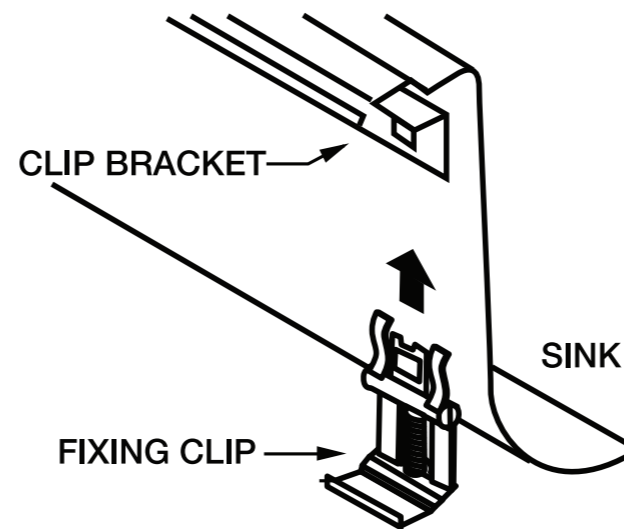


FIGURE A

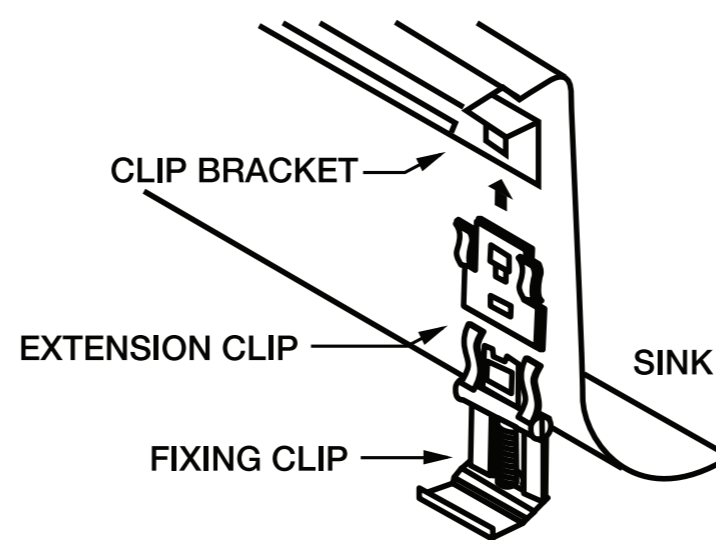


FIGURE B

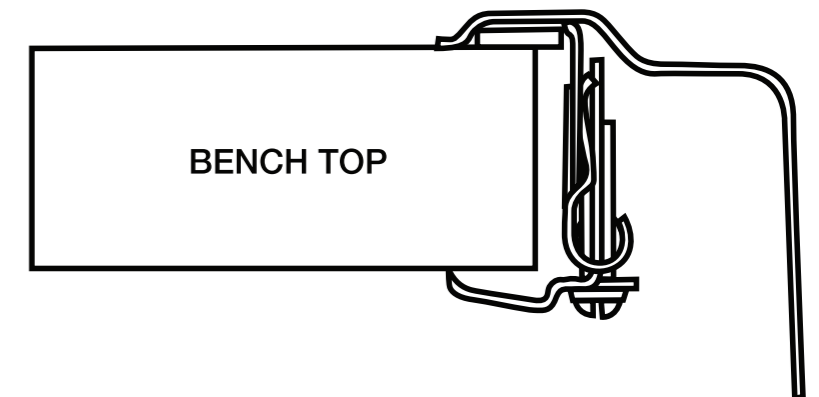
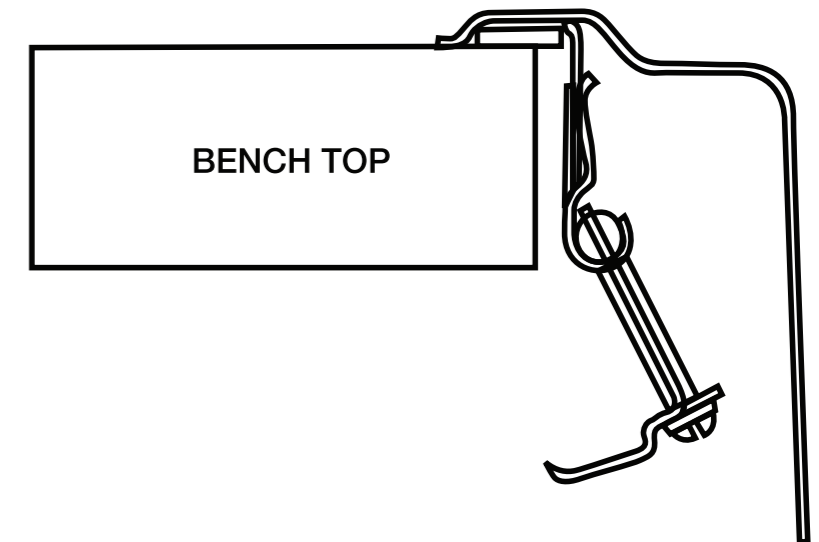


FIGURE C