

Luna Angle Shower Base with two-sided tile bead

Product Code: **SBANGLED**



 **MADE IN AUSTRALIA**

The Luna's slimline design, with two side tile bead, can be fully integrated into tiled bathroom walls or combined with other Decina shower products to create a leak resistant, long lasting, luxury shower enclosure. This shower base comes with a rear outlet position, plus an exclusive Decina branded chrome, friction lock removable waste cover.

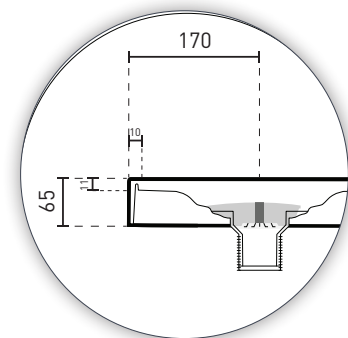
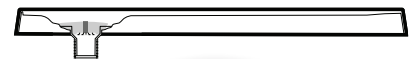
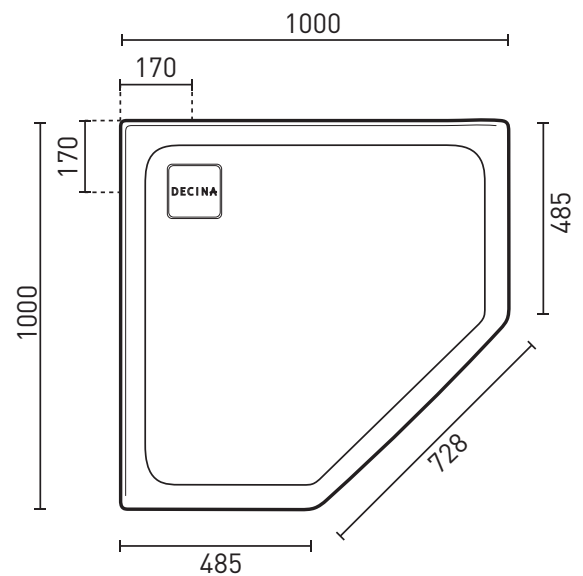
- Made to AS/NZ Standard 3588:1996
- Steel rod reinforced base
- Base is triple reinforced with fiberglass, timber and resin
- Includes chrome, friction lock removable waste cover
- 49mm low entry height
- Self-supporting feet
- No mortar bed required
- Slip resistant
- Easy to clean & maintain

PRODUCT SPECIFICATIONS

Material: Premium sanitary grade acrylic, high gloss white / chrome
Width: 1000mm
Depth: 1000mm
Height: 64mm (base height to the top of the tile bead)
Net Weight: 24kg
Warranty: 10 years (refer to decina.com.au)

OPTIONAL ACCESSORIES

- Two sided acrylic shower wall **SW1000**
- Cascade Shower Screen **SBCURVED**



DECINA
DISCOVER INDULGENCE

DECINA.COM.AU 1300 DECINA



*Warranty T&Cs apply, visit decina.com.au Decina reserves the right to change specifications without notice. Due to manufacturing tolerances dimensions may vary +/- 5mm. We recommend installation does not start until after delivery. Please confirm all particulars prior to purchase, call 1300 DECINA or visit decina.com.au