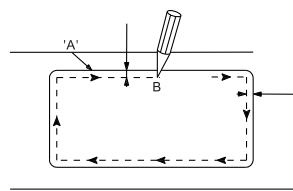


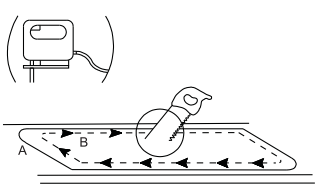
INSTALLATION INSTRUCTIONS | EVERHARD TOP MOUNTED SINKS

1.



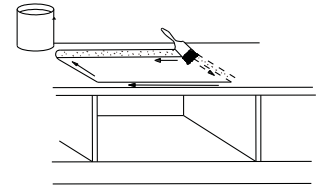
USING THE CUT OUT TEMPLATE PROVIDED, MARK THE CUT OUT LINE ON THE BENCHTOP

2.



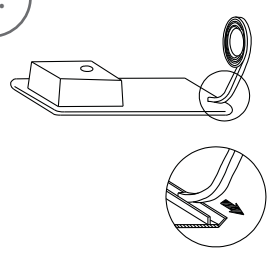
CUT THE SINK CUT OUT TO THE INSIDE OF THE CUT OUT TEMPLATE

3.



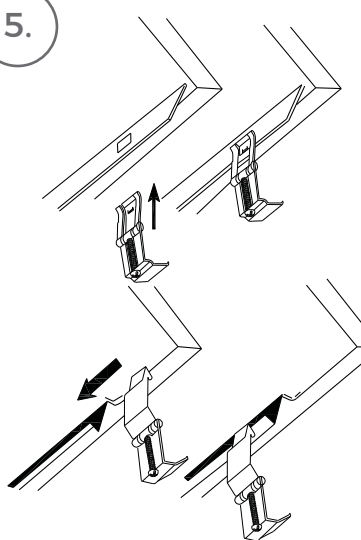
SEAL THE CUT SURFACES

4.



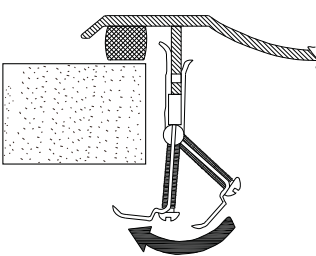
FIT GASKET TO SINK ENSURING DOUBLE THICKNESS AT THE CORNERS AND/OR USE SILICONE SEALANT TO ENSURE A GOOD SEAL

5.



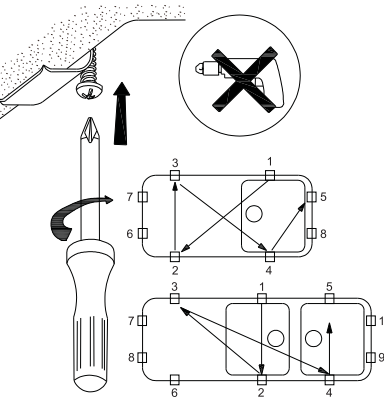
PUSH CLIPS ON TO THE RAIL

6.



ROTATE CLAW UNDER WORKTOP

7.



LIGHTLY TIGHTEN ALL CLIPS, LASTLY, TIGHTEN ALL CLIPS IN THE ORDER SHOWN

