

# EVERHARD SPEC PACK



PRODUCT INFO | IMAGES | DRAWINGS

## PRODUCT

Excellence Squareline 1.5 Bowl

## EI CODE

72150

## BRAND

Excellence



# SPEC PACK KITCHEN COLLECTION

## SPEC SHEET



## EXCELLENCE SQUARELINE 1.5 BOWL

### PRODUCT CODE:

72150

### FEATURES:

- / 304 Stainless Steel bowl
- / 2 x 90mm basket waste
- / 32L & 16L capacity
- / Suitable for garbage disposal connection
- / Sink bench fixing clips
- / Undermount or top mount

### OVERALL DIMENSIONS:

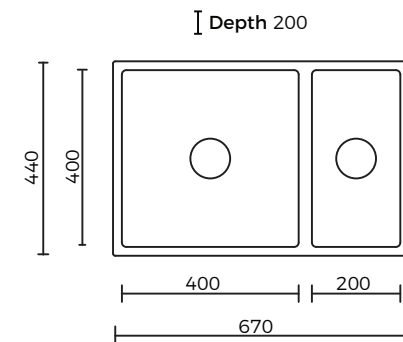
670 L x 440 W x 200mm D

### WARRANTY:

30 years

### ADDITIONAL EXTRAS:

- 97945 - Excellence Squareline Accessories Kit  
(cutting board and colander)
- 97899 - Draining Tray



Disclaimer: All measurement are in millimetres and are solely for reference purposes. Colours have been reproduced with as much accuracy as possible. Any changes resulting from technical advance of design or colour may be made without prior notice. Tapware, accessories and appliances are for illustration purposes only. Further information on warranties is available at [www.everhard.com.au](http://www.everhard.com.au)

# SPEC PACK KITCHEN COLLECTION

## PRODUCT DRAWING

