

ASSIST BACKREST INSTALLATION INSTRUCTIONS

DESCRIPTION

This Assist Backrest (Code BR1002) is designed to comply with AS1428.1(2009) - Design for access and mobility. This Standard details the requirements for sanitary installations with people with disabilities.

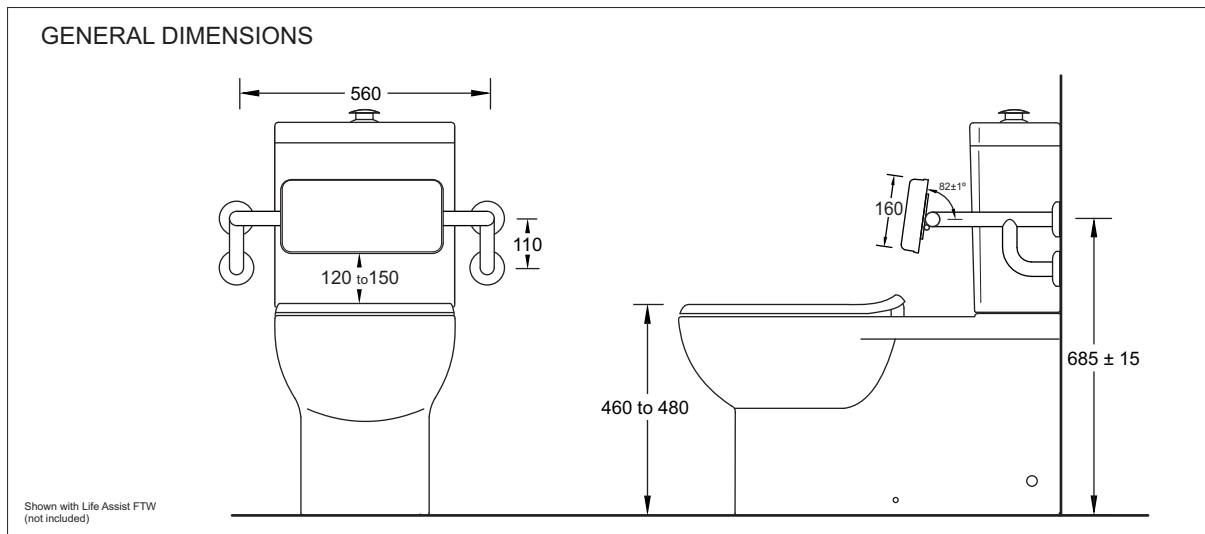
The backrest has a universal design to suit most Special Needs toilet suites. It can be fitted to close coupled and separate pan/cistern combinations.

The backrest is constructed with a polished 304 stainless steel frame and polyurethane cushion pad
Concealed fixing system provides simple, secure installation.



CARTON CONTENTS

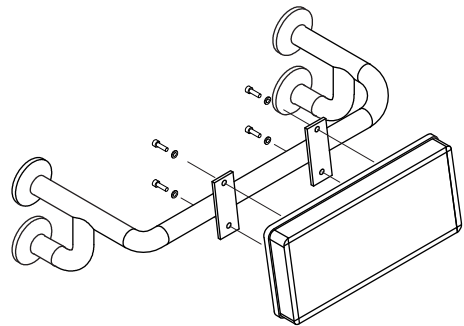
1. Stainless steel backrest frame with fitted flanges
2. 12 x 60 x M5.5 self tapping screws with wall plugs
3. Polyurethane backrest cushion
4. 4 x 20mm cushion fixing bolts with washers



INSTALLATION STEPS

STEP 1

Attach the backrest cushion using the four 20mm bolts.
Tighten securely with an allen key



STEP 2

Measure **685mm** (± 15) up from the floor on each side of the cistern.
THIS IS THE HEIGHT FOR THE CENTRE OF THE TOP RAIL FOR CORRECT FITTING

- Position the frame centrally about the cistern
- Mark the fixing locations and install using the screws provided*
Use the screws for solid wood fixing
Use the screws with fixing plugs for masonry fixing
- Clip the flanges back so they conceal the fixings

* The backrest must be affixed to solid wall structure.
Consult your design engineer if in doubt.

