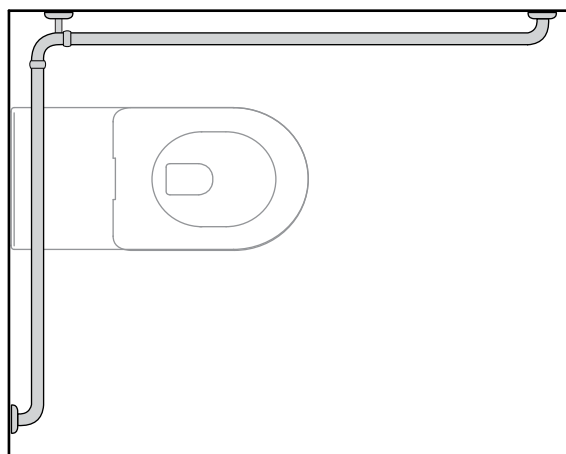
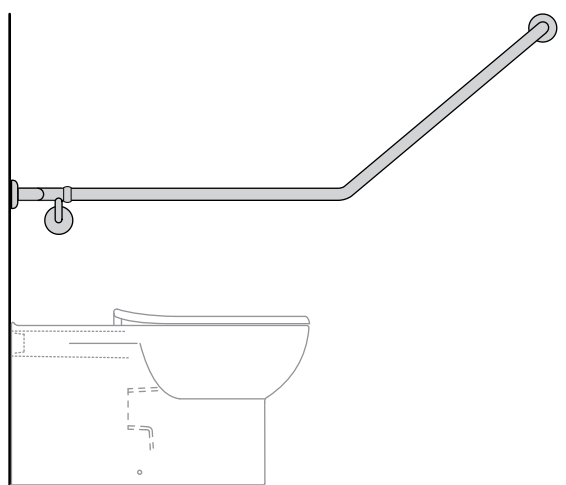


## ASSIST GRAB RAIL

140° CORNER GRAB RAIL FOR ASSIST TOILET  
INSTALLATIONS (L&R OPTIONS)  
STAINLESS STEEL

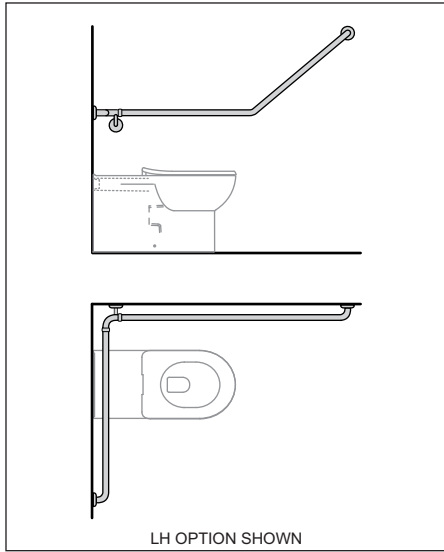


When correctly installed this product is compliant  
with AS1428.1 - Design for Access and Mobility



# ASSIST GRAB RAILS

## 140° CORNER GRAB RAIL

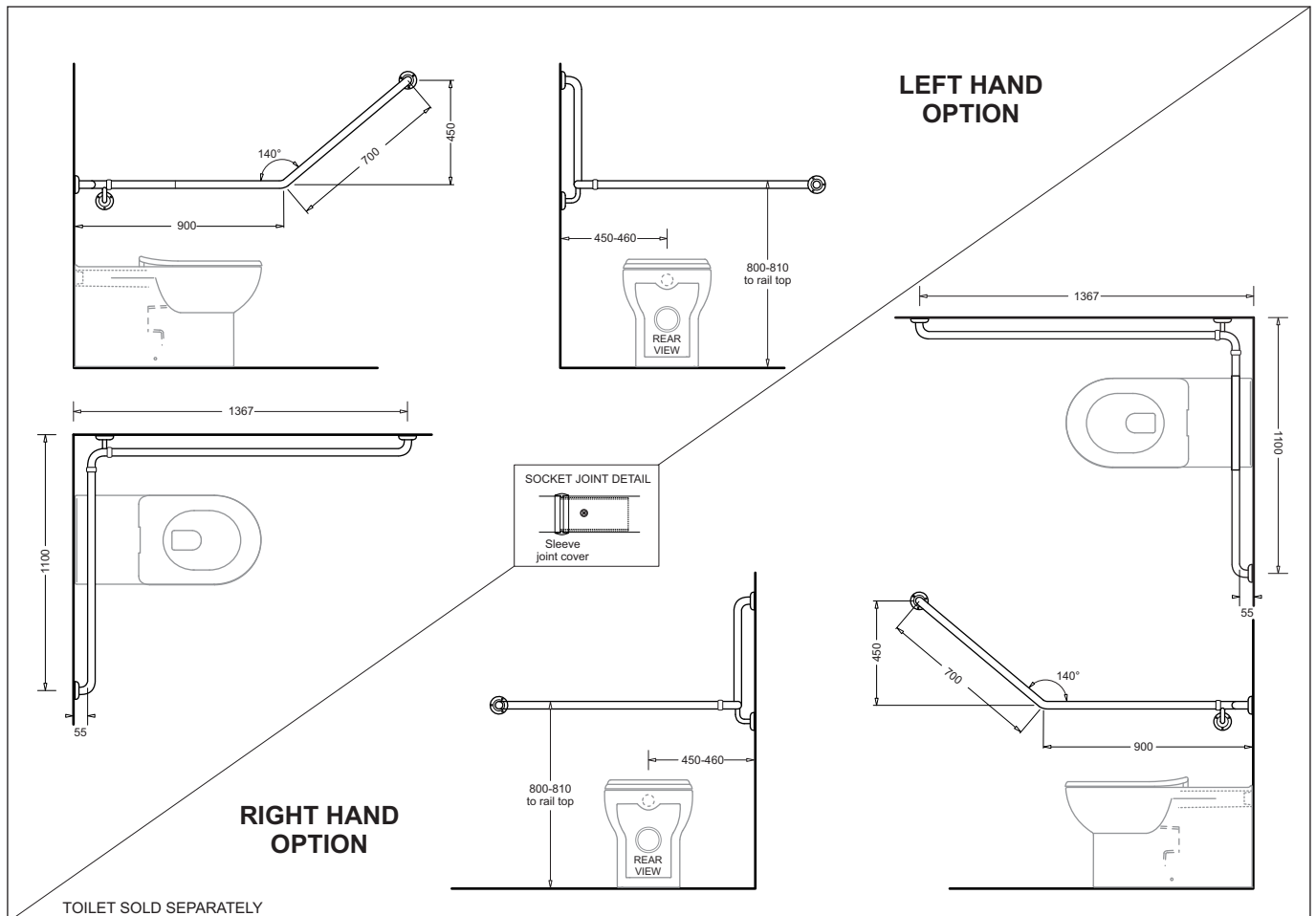


- Designed for use with concealed cistern toilets
- Provides secure hand grip support around toilets or for general purpose assistance
- When correctly installed is compliant with AS1428.1 Design for Access and Mobility
- Quality construction in satin finished 304 stainless steel
- Suitable for installation in domestic or commercial installations
- 32mm diameter rail for comfortable grip
- Left/Right installation options available
- Secure concealed flange fixing system



Provided		
Item	Description	Code
Grab Rail	140° Corner Grab Rail - Left Hand	BR1100.9070L
Grab Rail	140° Corner Grab Rail - Right Hand	BR1100.9070R

ARRANGEMENT DRAWINGS SHOWING KEY DIMENSIONS AND INSTALLATION REQUIREMENTS FOR AS1428.1 COMPLIANCE



All dimensions are in millimetres and are subject to normal manufacturing variation.  
As product development is ongoing BPA reserves the right to vary specifications without notice.  
Bathroom Products Australia P/L ABN 87 079 297 617