

ASSIST GRAB RAILS

SPECIAL NEEDS STAINLESS STEEL GRAB RAILS
WITH CONCEALED WALL FLANGES

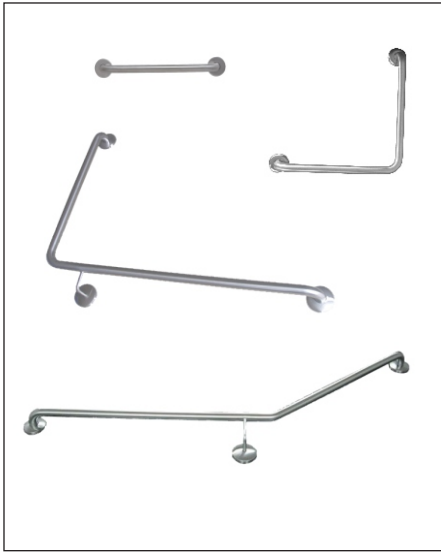


Compliant with AS1428.1 - Design for Access and Mobility



ASSIST GRAB RAILS

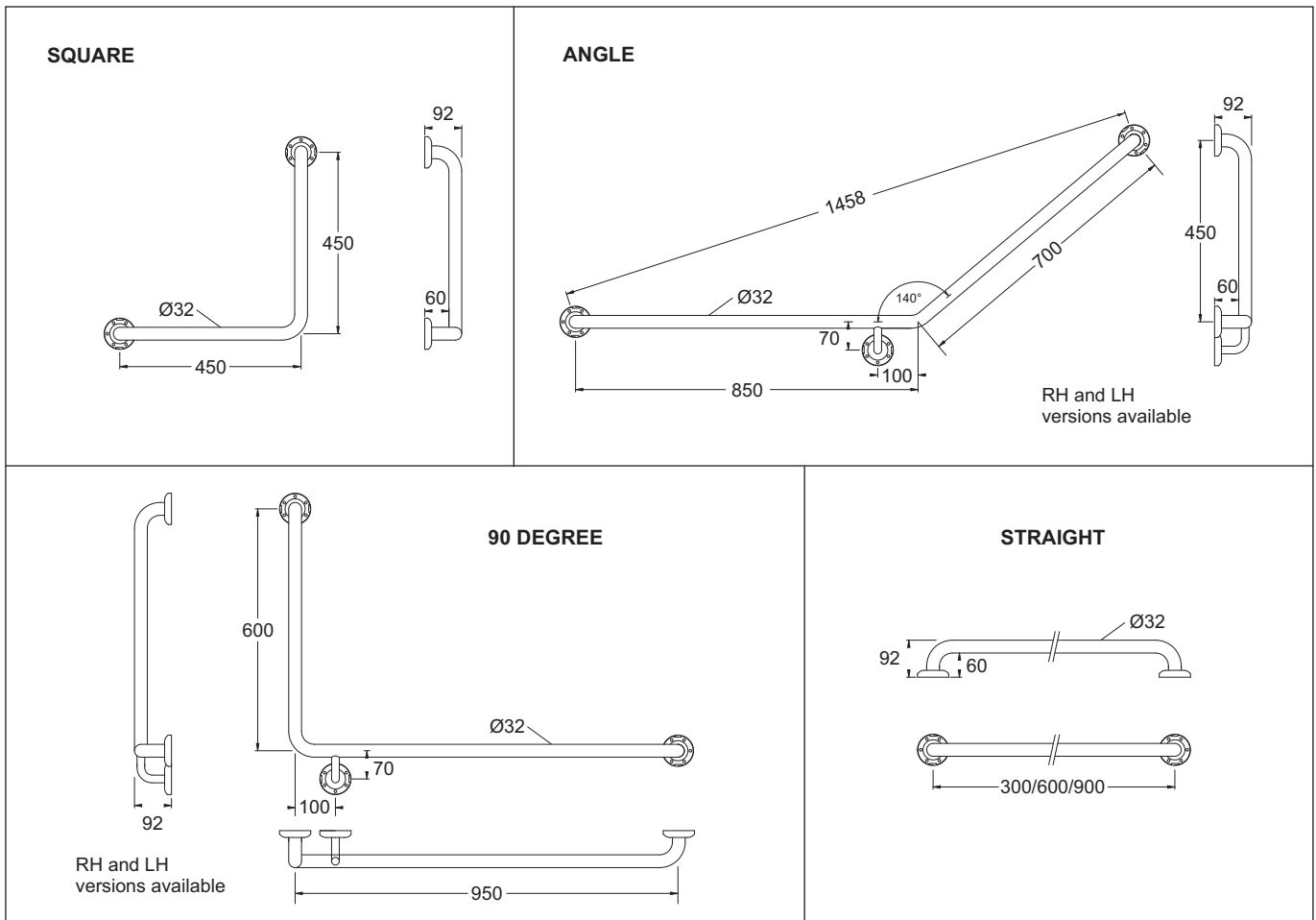
STAINLESS STEEL GRAB RAILS



- Provides sturdy hand grip support around toilets, baths, showers or for general purpose assistance
- Compliant with AS1428.1 Design for Access and Mobility
- Quality construction in satin finished 304 stainless steel
- Suitable for installation in domestic or commercial installations
- 32mm diameter rail for comfortable grip
- Left/Right options available
- Secure flange concealed fixing system



Provided		
Item	Description	Code
Grab Rail	Assist Straight 300mm	BR1030
Grab Rail	Assist Straight 600mm	BR1060
Grab Rail	Assist Straight 900mm	BR1090
Grab Rail	Assist Square 450x450	BR4545
Grab Rail	Assist 90 Degree 950x600mm - Right Hand	BR9460R
Grab Rail	Assist 90 Degree 950x600mm - Left Hand	BR9460L
Grab Rail	Assist Angle 850x700mm - Right Hand	BR8570R
Grab Rail	Assist Angle 850x700mm - Left Hand	BR8570L



All dimensions are in millimetres and are subject to normal manufacturing variation.
As product development is ongoing BPA reserves the right to vary specifications without notice.
Bathroom Products Australia P/L ABN 87 079 297 617