

Projix Single RH Bowl Kitchen Sink

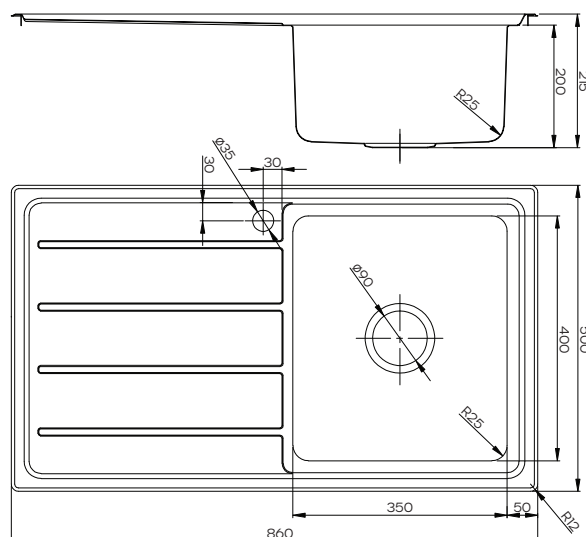
Product Code: 182110

Warranty

10 years - body
2 years - wastes, clips,
bypass kit, hoses
1 year - labour

Product Specifications

Configuration	Right hand bowl with drainer
Installation type	Top mount
Design	25mm radius corners, square line drainer
Tap Hole	1 Tap hole
Finish	Satin polished
Material	304 grade 18/10 stainless steel
Construction	Drawn 25mm radius corners, sound deadener
Thickness	0.8mm
Sink Size	860 x 500 x 215mm
Bowl Size & Capacity	350 x 400 x 200 / 28L
Included accessories	1 x 90mm basket waste Mounting clips Sealing tape
Spare Parts	182478 Clips 182475 A3 Basket waste 182477 Sealing tape



Limited Warranty

(visit raymor.com.au for full warranty details)

For more information call 1800 729 667 or visit raymor.com.au

© Registered trademark of Tradelink. All dimensions given are approximate and should be checked prior to installation. See raymor.com.au for installation and warranty details.

Raymor[®]