

# Projix 1 & 3/4 RH Bowls

## Kitchen Sink

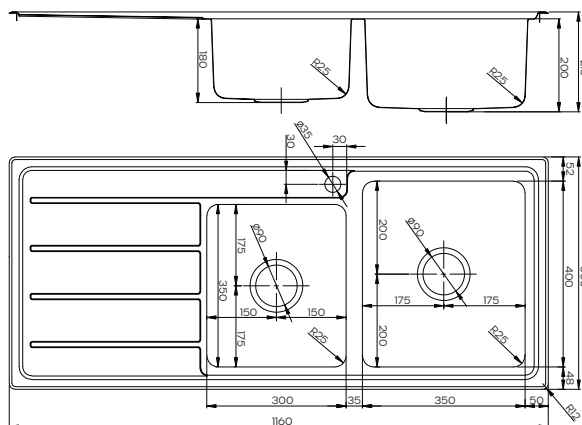
Product Code: 182112

### Warranty

25 years - body  
5 years - wastes, clips  
1 year - labour

### Product Specifications

<b>Configuration</b>	Right hand bowls with drainer
<b>Installation type</b>	Top mount
<b>Design</b>	25mm radius corners, square line drainer
<b>Tap Hole</b>	1 Tap hole
<b>Finish</b>	Satin
<b>Material</b>	304 grade 18/10 stainless steel
<b>Construction</b>	Drawn 25mm radius corners, sound deadener
<b>Sink Size</b>	1160 x 500 x 215mm
<b>Bowl Size &amp; Capacity</b>	350 x 400 x 200 / 28L
<b>Bowl Size &amp; Capacity</b>	300 x 350 x 180 / 19L
<b>Included accessories</b>	2 x 90mm basket waste Mounting clips Sealing tape
<b>Spare Parts</b>	182478 Clips 182475 A3 Basket waste 182476 A4 Basket waste 182477 Sealing tape



### Limited Warranty

(visit [raymor.com.au](http://raymor.com.au) for full warranty details)

For more information call 1800 729 667 or visit [raymor.com.au](http://raymor.com.au)

© Registered trademark of Tradelink. All dimensions given are approximate and should be checked prior to installation. See [raymor.com.au](http://raymor.com.au) for installation and warranty details.

Raymor®