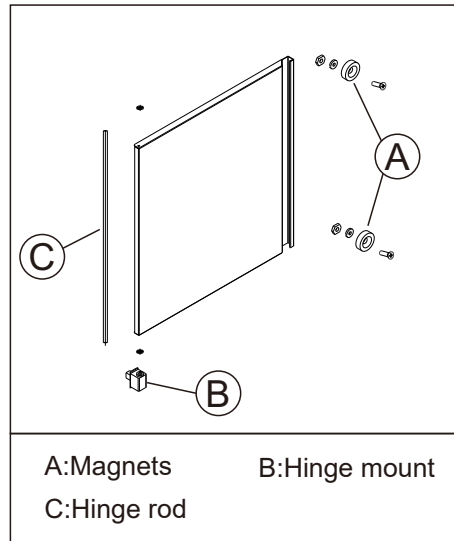
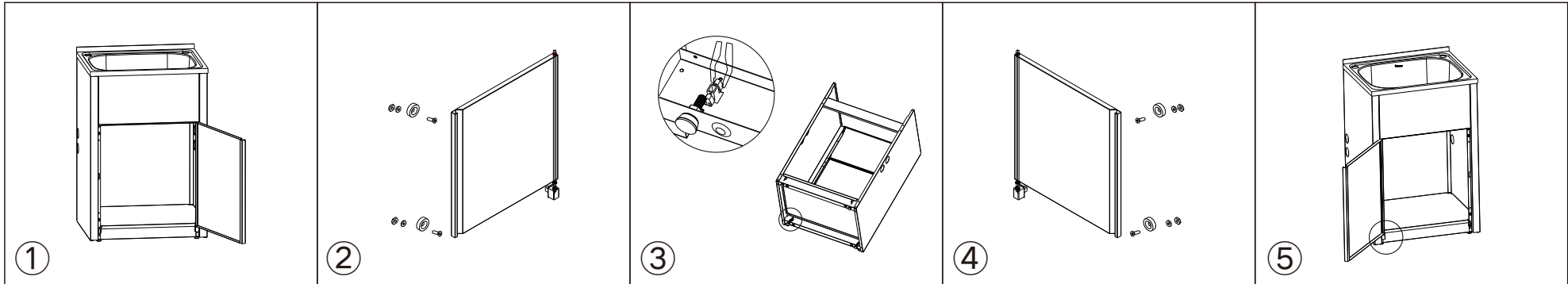


Reversible Laundry Cabinet

Projix 45L Laundry Tub and Cabinet



1. The cabinet is pre-configured to open from the left, as shown in Figure ①, with the exploded door shown in Figure ②
2. To change the left-opening door to a right-opening door, carefully lay down the cabinet body, use needle-nose pliers to pull the hinge mount out, as shown in Figure ③, then remove out the hinge rod.
3. Rotate the door as shown in Figure ④, then use a Phillip head screwdriver to install the magnets (A) onto the cabinet.
4. Slide the door hinge (C) into the door panel, fit hinge mount (B) onto the lower end of the door hinge (C), insert the upper end of door hinge (C) into cabinet and then push hinge mount (B) into the cabinet as shown in figure ⑤

Warranty:

For your continued peace of mind, the Raymor range offers a limited warranty from date of purchase. For full warranty terms and conditions of the warranty including how to claim and your rights as a consumer, please consult www.raymor.com.au and this installation guide.

In addition, if you are a consumer as defined in the Australian Consumer law, the goods come with guarantees that cannot be excluded and you are entitled to a replacement or refund for a major failure and compensation for any other reasonable foreseeable loss or damage. You are also entitled to have the goods repaired or replaced if the goods fail to be of acceptable quality and the failure does not amount to a major failure.

Warranty Contact Details

Tradelink Pty Ltd
 ABN: 29000003832
 1051 Nudgee Rd
 Banyo QLD 4014
 Phone: 1300 658 277
 Email: aftersales@tradelink.com.au