

Projix 35L Single Bowl Laundry Sink

Product Code: 182431

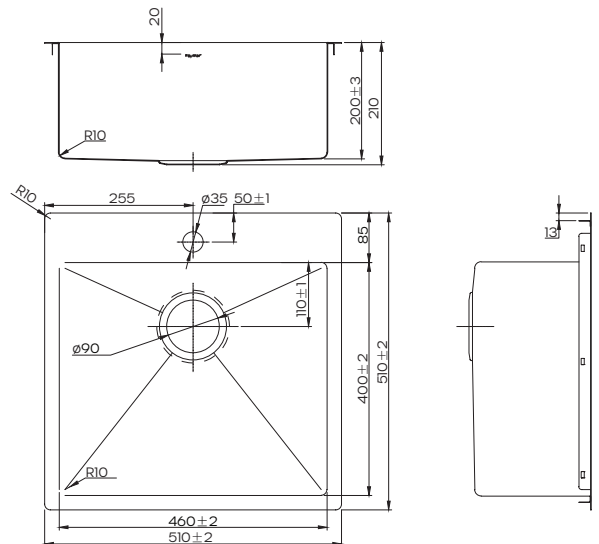
Warranty

25 years - body
5 years - wastes, clips
1 year - labour



Product Specifications

Configuration	Single bowl with tap landing
Installation type	Top mount
Design	10mm radius corners
Tap Hole	1 Tap hole
Finish	Satin
Material	304 grade 18/10 stainless steel
Construction	Handmade 10mm radius corners, sound deadener
Sink Size	510 x 510 x 210
Bowl Size & Capacity	460 x 400 x 200 / 35L
Bowl Size & Capacity	1 x 90mm basket waste Mounting clips Sealing tape
Included accessories	182478 Clips 182475 A3 Basket waste 182477 Sealing tape
Spare Parts	182478 Clips 182475 A3 Basket waste 182477 Sealing tape



Limited Warranty

(visit raymor.com.au for full warranty details)

For more information call 1800 729 667 or visit raymor.com.au

© Registered trademark of Tradelink. All dimensions given are approximate and should be checked prior to installation. See raymor.com.au for installation and warranty details.

Raymor[®]