

Projix 45L Single Bowl Laundry Sink

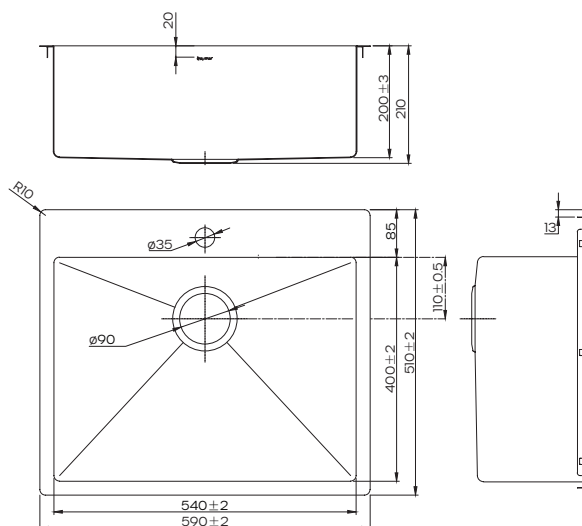
Product Code: 182430

Warranty

25 years - body
5 years - wastes, clips
1 year - labour

Product Specifications

Configuration	Single bowl with tap landing
Installation type	Top mount
Design	10mm radius corners
Tap Hole	1 Tap hole
Finish	Satin
Material	304 grade 18/10 stainless steel
Construction	Handmade 10mm radius corners, sound deadener
Sink Size	590 x 510 x 225mm
Bowl Size & Capacity	540 x 400 x 210mm / 45L
Included accessories	1 x 90mm basket waste Mounting clips Sealing tape
Spare Parts	182478 Clips 182475 A3 Basket waste 182477 Sealing tape



Limited Warranty

(visit raymor.com.au for full warranty details)

For more information call 1800 729 667 or visit raymor.com.au

© Registered trademark of Tradelink. All dimensions given are approximate and should be checked prior to installation. See raymor.com.au for installation and warranty details.

Raymor®