

# DualTEMP® Electric 250L 431250

3 - 5

PEOPLE

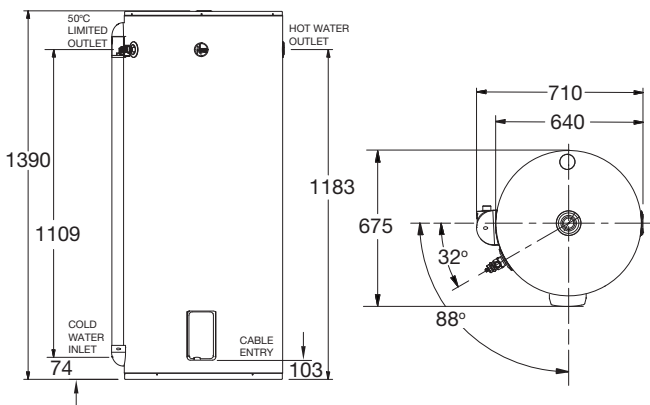
Indoor/  
Outdoor

INSTALLATION

## Features & Benefits



- Fast, easy like-for-like replacement
- Tempered water outlet (left hand outlet), adjustable to deliver up to 50°C hot water
- Full temperature outlet (right hand outlet), can deliver full temperature (up to 70°C) hot water for kitchen and laundry
- Left hand inlet only
- Australian made
- 12 year cylinder warranty<sup>1</sup>



MODEL	431250
Hot Water Delivery (L)	250
kW Rating	3.6
Relief Valve Pressure (kPa)	1000
Expansion Control Valve (kPa)	850
<b>Max Water Supply Pressure:</b>	
with ECV (kPa)	680
without ECV (kPa)	800
Water Connections	G 3/4 B, Rp 3/4
Approx. Weight (packaged) kg	82



Scan code for  
details & installation  
instructions

