

ARLO

WALL MIXER SET 200MM TRIM KIT ONLY

PRODUCT CODE: 151-7812-40
 FINISH: BRUSHED NICKEL
 WELS: 5 STAR - 5.5 LT/MIN

INFORMATION:

TEMPERATURE RATING: MIN 1° - MAX 75°
 PRESSURE RATING: MIN 150 kPa - MAX 500 kPa

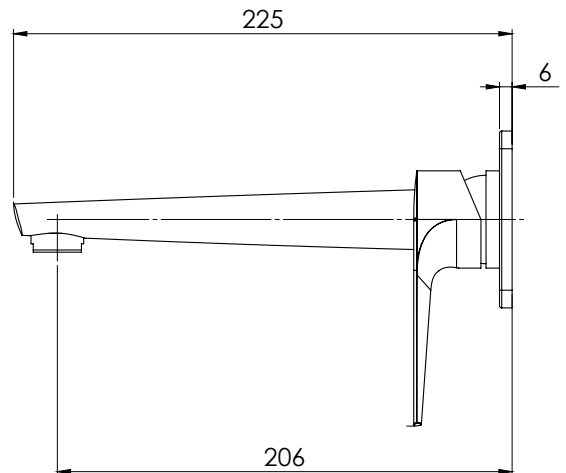
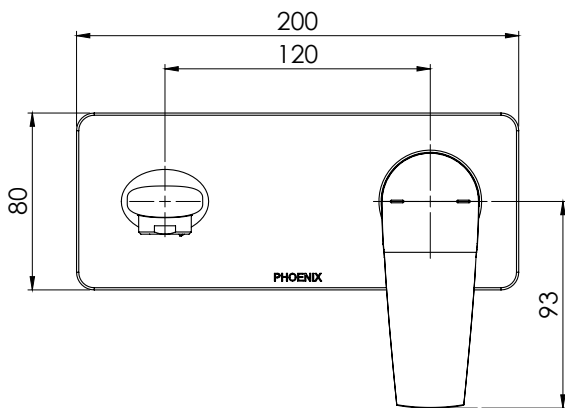


AVAILABLE IN:



CHROME BRUSHED NICKEL MATTE BLACK*

* 1 Year Warranty - Phoenix Builders Matte Black Finish
 FOR MORE INFORMATION VISIT
www.phoenixtapware.com.au



PLEASE [CLICK HERE TO VIEW FULL WARRANTY](#)

While we aim to ensure the specifications shown are correct at time of printing, Phoenix Tapware reserves the right to make modifications without prior notice. Always use the physical product measurements for mark-ups and roughing-in as the line drawing shown may differ from the actual product over time. All measurements are shown in millimetres.

Arlo is a Registered Trademark of Phoenix Industries Pty. Ltd.

V250220

www.phoenixtapware.com.au
 03 9780 4200

ARLO

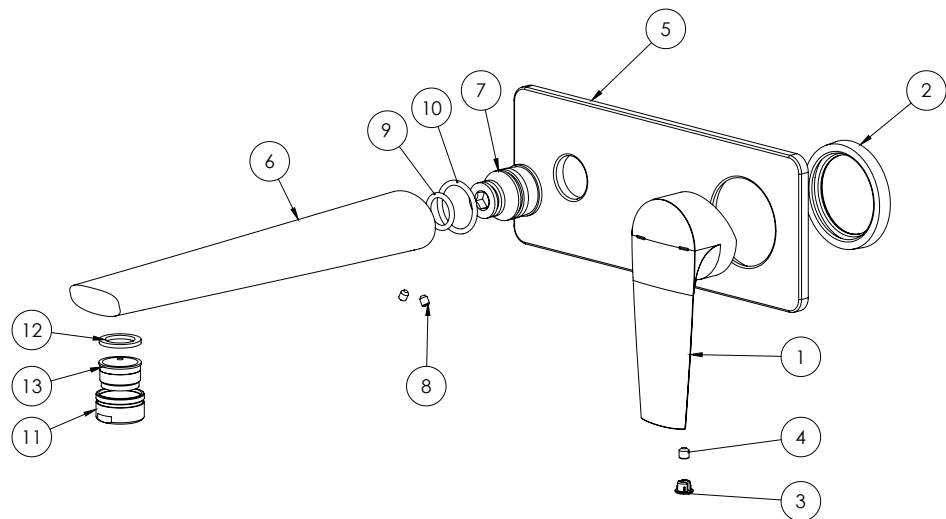
WALL MIXER SET 200MM TRIM KIT ONLY

PRODUCT CODE: 151-7812-40
FINISH: BRUSHED NICKEL
WELS: 5 STAR - 5.5 LT/MIN



PARTS LIST

1. MIXER HANDLE
2. WASHER 44MM
3. SCREW CAP
4. GRUB SCREW M5X5
5. BACK PLATE
6. SPOUT
7. OUTLET ADAPTER
8. GRUB SCREW PLAIN M4X5
9. O-RING 14X2.5
10. O-RING 22X2.5
11. RETAINER
12. WASHER
13. AERATOR



MAINTENANCE AND CARE:

- All surfaces should be cleaned with mild liquid detergent or soap and water.
- Do not use cream cleaners or citrus based cleaning products, as they are abrasive.
- Use of unsuitable cleaning agents may damage the surface. Any damage caused in this way will not be covered by warranty.

PLEASE [CLICK HERE TO VIEW FULL WARRANTY](#)

While we aim to ensure the specifications shown are correct at time of printing, Phoenix Tapware reserves the right to make modifications without prior notice. Always use the physical product measurements for mark-ups and roughing-in as the line drawing shown may differ from the actual product over time. All measurements are shown in millimetres.

Arlo is a Registered Trademark of Phoenix Industries Pty. Ltd.
V250220

www.phoenixtapware.com.au
03 9780 4200