

PINA

BASIN MIXER

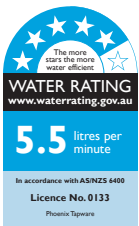
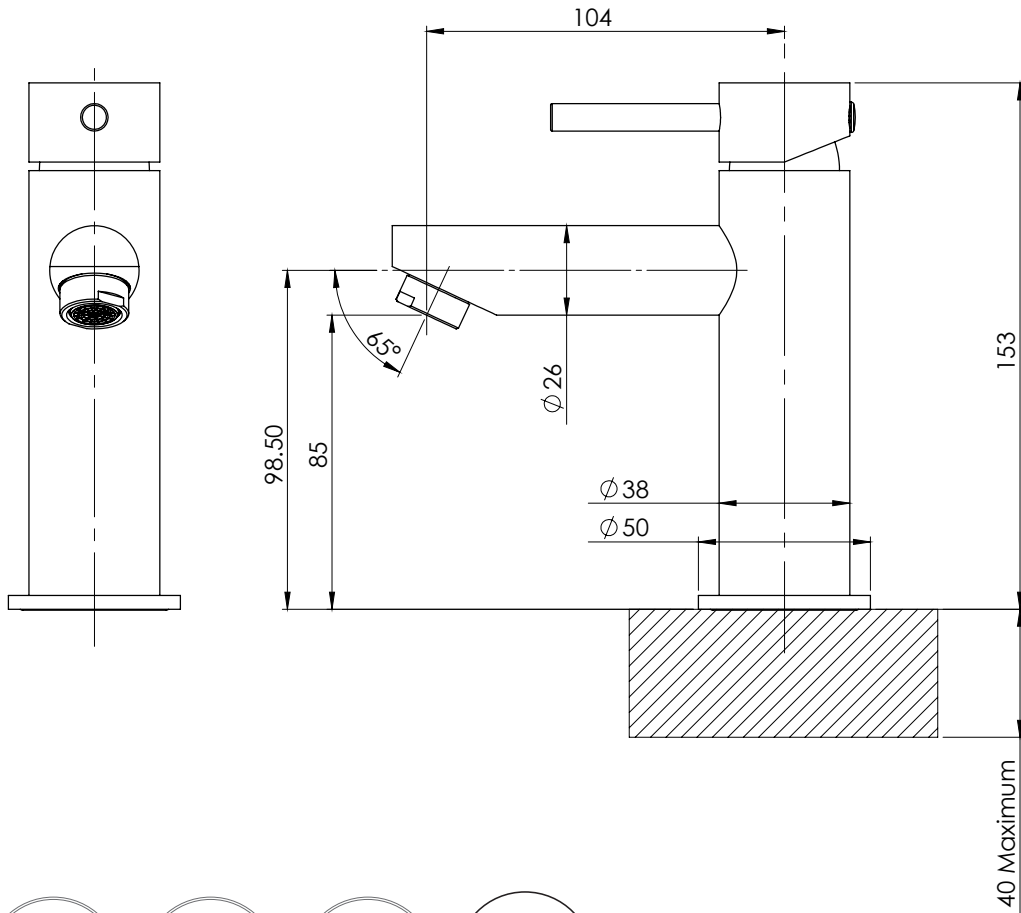
PRODUCT CODE: 153-7700-40
 FINISH: BRUSHED NICKEL
 WELS: 5 STAR - 5.5 LT/MIN

INFORMATION:

TEMPERATURE RATING: MIN 1° - MAX 75°
 PRESSURE RATING: MIN 150 kPa - MAX 500 kPa



* 1 Year Warranty - Phoenix Builders Matte Black Finish
 FOR MORE INFORMATION VISIT
www.phoenixtapware.com.au



PLEASE [CLICK HERE TO VIEW FULL WARRANTY](#)

While we aim to ensure the specifications shown are correct at time of printing, Phoenix Tapware reserves the right to make modifications without prior notice. Always use the physical product measurements for mark-ups and roughing-in as the line drawing shown may differ from the actual product over time. All measurements are shown in millimetres.

Pina is a Registered Trademark of Phoenix Industries Pty. Ltd.
 V250220

www.phoenixtapware.com.au
 03 9780 4200

PINA

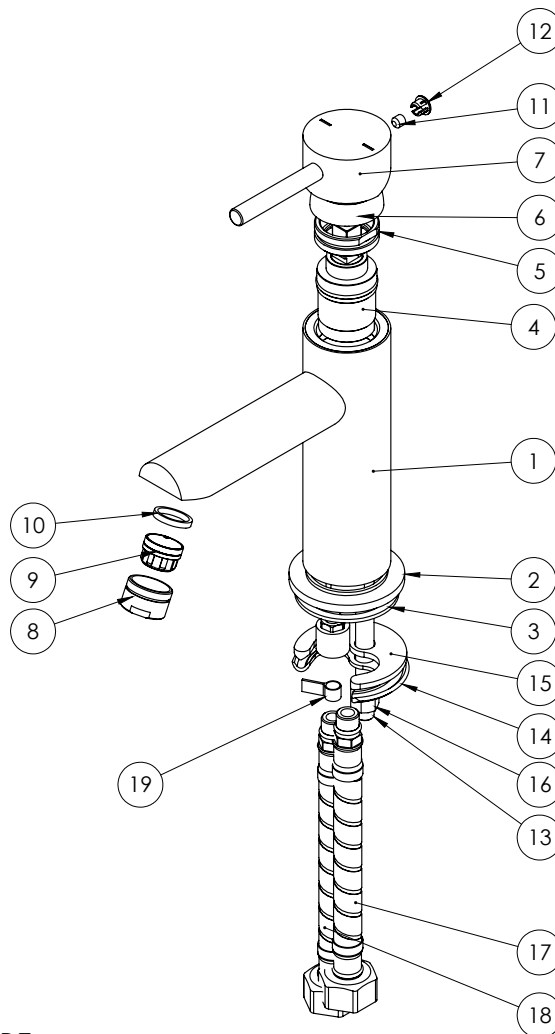
BASIN MIXER

PRODUCT CODE: 153-7700-40
 FINISH: BRUSHED NICKEL
 WELS: 5 STAR - 5.5 LT/MIN



PARTS LIST

1. MIXER BODY
2. DRESS RING
3. RUBBER WASHER
4. 25MM CARTRIDGE
5. LOCKNUT
6. DOME
7. HANDLE
8. AERATOR
9. RETAINER
10. GASKET
11. GRUB SCREW M5X5
12. SCREW CAP
13. M8 THREADED ROD
14. MOUNTING PLATE
15. MOUNTING GASKET
16. M8 THREADED NUT
17. FLEXIBLE HOSE 450MM COLD
18. FLEXIBLE HOSE 450MM HOT
19. RED INDICATOR TAPE



MAINTENANCE AND CARE:

- All surfaces should be cleaned with mild liquid detergent or soap and water.
- Do not use cream cleaners or citrus based cleaning products, as they are abrasive.
- Use of unsuitable cleaning agents may damage the surface. Any damage caused in this way will not be covered by warranty.

PLEASE [CLICK HERE](#) TO VIEW FULL WARRANTY

While we aim to ensure the specifications shown are correct at time of printing, Phoenix Tapware reserves the right to make modifications without prior notice. Always use the physical product measurements for mark-ups and roughing-in as the line drawing shown may differ from the actual product over time. All measurements are shown in millimetres.

Pina is a Registered Trademark of Phoenix Industries Pty. Ltd.
 V250220

www.phoenixtapware.com.au
 03 9780 4200