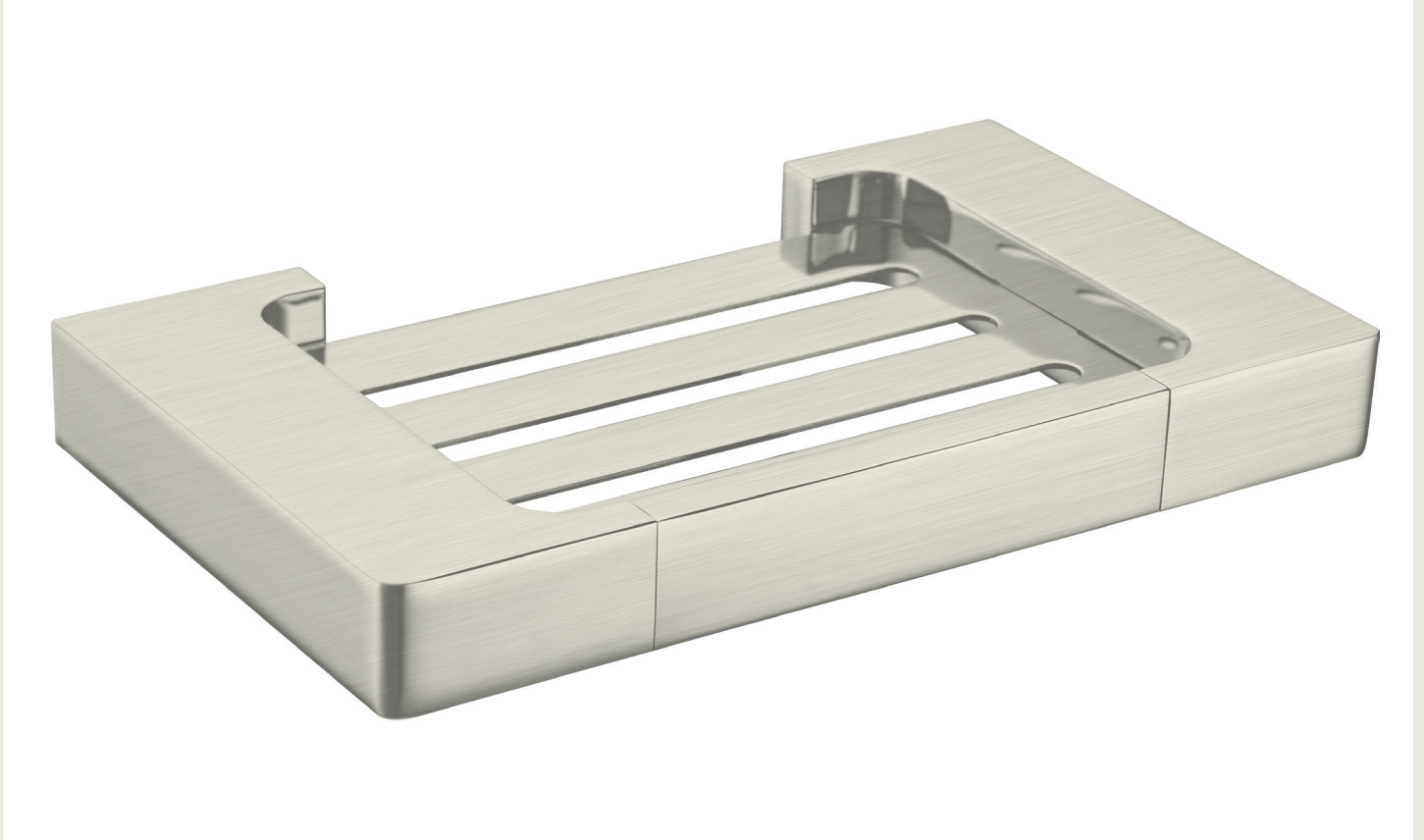


Edge II Soap Holder Brushed Nickel.

Product Code: 203009



Product Specifications.

Colour	Brushed Nickel	Height	24 mm
Warranty	10 years - main body, chrome plated finish & fittings 5 years - PVD & electroplate finishes 1 year - seals & labour	Depth	120 mm
Finish	PVD	Inclusions	Soap Holder Installation Instructions
Fixing width Ø to Ø		Maintenance & Care	Clean using a soft sponge or cloth with warm soapy water or detergent. Never use abrasive brushes or scourer pads to clean products. Rinse with water immediately after using any cleaning solution
Width	206 mm		

For more information call 1800 BATHROOM (1800 228 476) or visit raymor.com.au

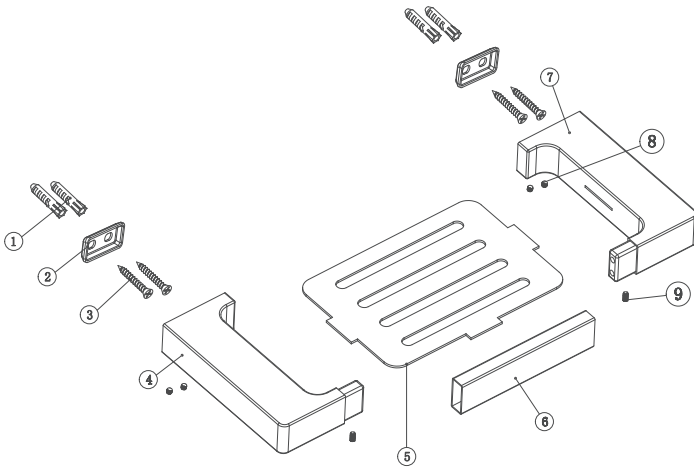
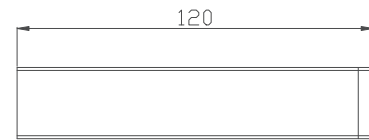
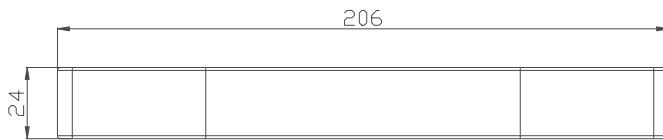
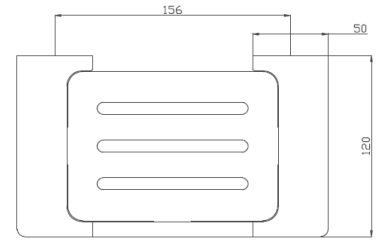
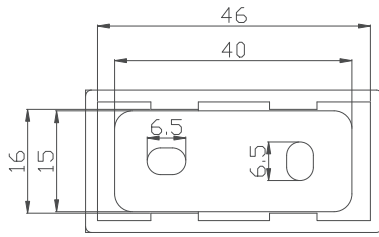
© Registered trademark of Tradelink. All dimensions are in millimetres. Dimensions are approximate and should be checked against the physical product before installation. Changes may be made to this specification without notice due to our commitment to continual improvement. See raymor.com.au for full warranty details.
All dimensions in mm.

Version 1

raymor

Edge II Soap Holder Brushed Nickel.

Product Code: 203009



For more information call 1800 BATHROOM (1800 228 476) or visit raymor.com.au

® Registered trademark of Tradelink. All dimensions are in millimetres. Dimensions are approximate and should be checked against the physical product before installation. Changes may be made to this specification without notice due to our commitment to continual improvement. See raymor.com.au for full warranty details. All dimensions in mm.

Version 1

raymor