

Projix Toilet Brush & Holder

Brushed Nickel

Product Code: 203043

Warranty

10 years - main body, chrome plated finish & fittings

5 years - PVD & electroplate finishes

1 year - seals & labour

Product Specifications

Colour

Brushed Nickel

Material

Zinc, 201 Stainless Steel and frosted glass

Width

115mm

Height

355mm

Depth

150mm

Finish

Electroplated

Inclusions

Product

Fixing kit

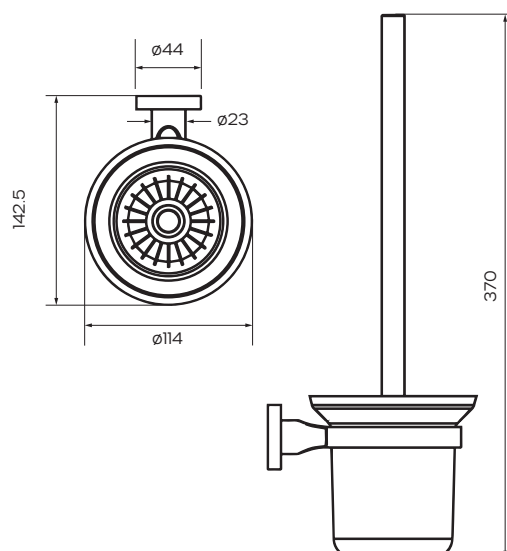
Install instructions

Country of Manufacture

China

Maintenance & Care

Surfaces should be regularly cleaned with a soft, dampened cloth or sponge with warm, soapy water or mild detergent only. Do not use abrasive brushes, scourers, cleaners or harsh chlorides or chemicals as these can damage the finish



For more information call 1800 729 667 or visit raymor.com.au

© Registered trademark of Tradelink. All dimensions given are approximate and should be checked prior to installation. See raymor.com.au for full warranty details.

Raymor[®]