

Projix Pin Lever Wall Top Assemblies

Black

Product Code: 203054

WELS Rating Warranty

N/R

15 years - Ceramic Disc SBA,
SBA JV, Body, Spout, Flanges,
Handles and Chrome Finish

5 years - PVD and
Electroplate Finishes

1 year Seals - Jumper Valves
and Labour



Product Specifications

Finish

Electroplated

Material

DZR Brass

Mounting

Wall

Cartridge & Operation

35mm 1/4 turn Ceramic Disc

KPA (min/max)

50/500kPa

Inclusions

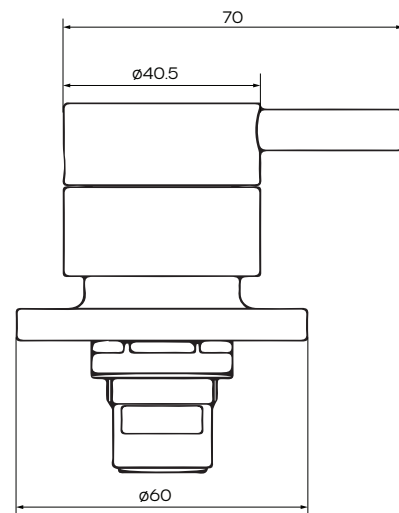
1x pair Wall Top Assemblies
Install instructions

Country of Manufacture

China

Maintenance & Care

Surfaces should be regularly
cleaned with a soft, dampened
cloth or sponge with warm,
soapy water or mild detergent
only. Do not use abrasive
brushes, scourers, cleaners or
harsh chlorides or chemicals as
these can damage the finish



For more information call 1800 729 667 or visit raymor.com.au

© Registered trademark of Tradelink. All dimensions given are approximate and should be checked prior to installation. See raymor.com.au for full warranty details.

Raymor®