

Projix Pin Lever Wall Top Assemblies

Chrome

Product Code: 203053

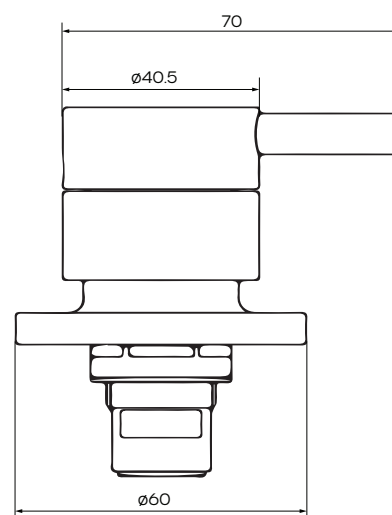
WELS Rating Warranty

N/R
15 years - Ceramic Disc SBA,
SBA JV, Body, Spout, Flanges,
Handles and Chrome Finish
5 years - PVD and
Electroplate Finishes
1 year - Seals, Jumper Valves
and Labour



Product Specifications

Finish	Electroplated
Material	DZR Brass
Mounting	Wall
Cartridge & Operation	35mm 1/4 turn Ceramic Disc
KPA (min/max)	50/500kPa
Inclusions	1x pair Wall Top Assemblies Install instructions
Country of Manufacture	China
Maintenance & Care	Surfaces should be regularly cleaned with a soft, dampened cloth or sponge with warm, soapy water or mild detergent only. Do not use abrasive brushes, scourers, cleaners or harsh chlorides or chemicals as these can damage the finish



For more information call 1800 729 667 or visit raymor.com.au

© Registered trademark of Tradelink. All dimensions given are approximate and should be checked prior to installation. See raymor.com.au for full warranty details.

Raymor[®]