

# Projix Bath & Shower Mixer with Diverter

Brushed Nickel

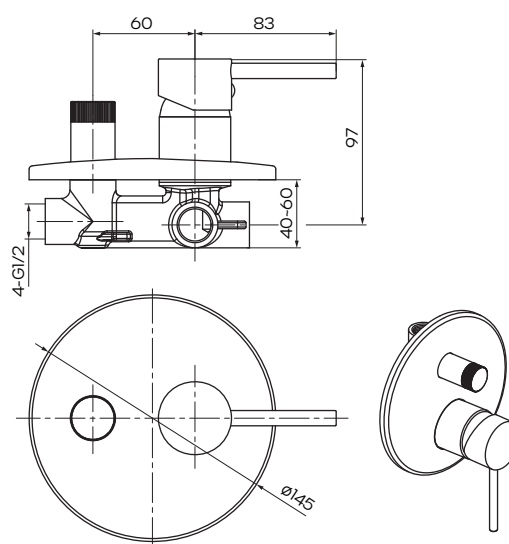
Product Code: 203007

## WELS Rating Warranty

N/R  
20 years - Mixer Cartridge, Body, Aerator, Hoses, Spout, Handle and Chrome Finish  
10 years - Handpieces and pull-down/ Hoses  
5 years - PVD and Electroplate Finishes  
1 year - Seals and Labour

## Product Specifications

<b>Finish</b>	Electroplated
<b>Material</b>	DZR Brass
<b>Mounting</b>	Wall
<b>Cartridge</b>	35mm Ceramic Disc
<b>KPA (min/max)</b>	50/500kPa
<b>Diverter Operation</b>	Twist, Ceramic Disc
<b>Inclusions</b>	1x Wall Mixer with Diverter Install instructions
<b>Country of Manufacture</b>	China
<b>Maintenance &amp; Care</b>	Surfaces should be regularly cleaned with a soft, dampened cloth or sponge with warm, soapy water or mild detergent only. Do not use abrasive brushes, scourers, cleaners or harsh chlorides or chemicals as these can damage the finish



For more information call 1800 729 667 or visit [raymor.com.au](http://raymor.com.au)

© Registered trademark of Tradelink. All dimensions given are approximate and should be checked prior to installation. See [raymor.com.au](http://raymor.com.au) for full warranty details.

**Raymor**<sup>®</sup>