




Bianca/Ecco Shower Rail With Air Shower



SPECIFICATION

PRODUCT CODE	YSW308-02
WELS RATING	3Star 9L/Min
WATERMARK LICENSE	WM-060093
TEMPERATURE RATING	Min 1°C -Max 75°C
PRESSURE RATING	Min 150KPa-Max 500Kpa

AVAILABLE FINISH

	CHROME NR30802CH		MATTE BLACK NR30802MB
	BRUSHED NICKEL NR30802BN		

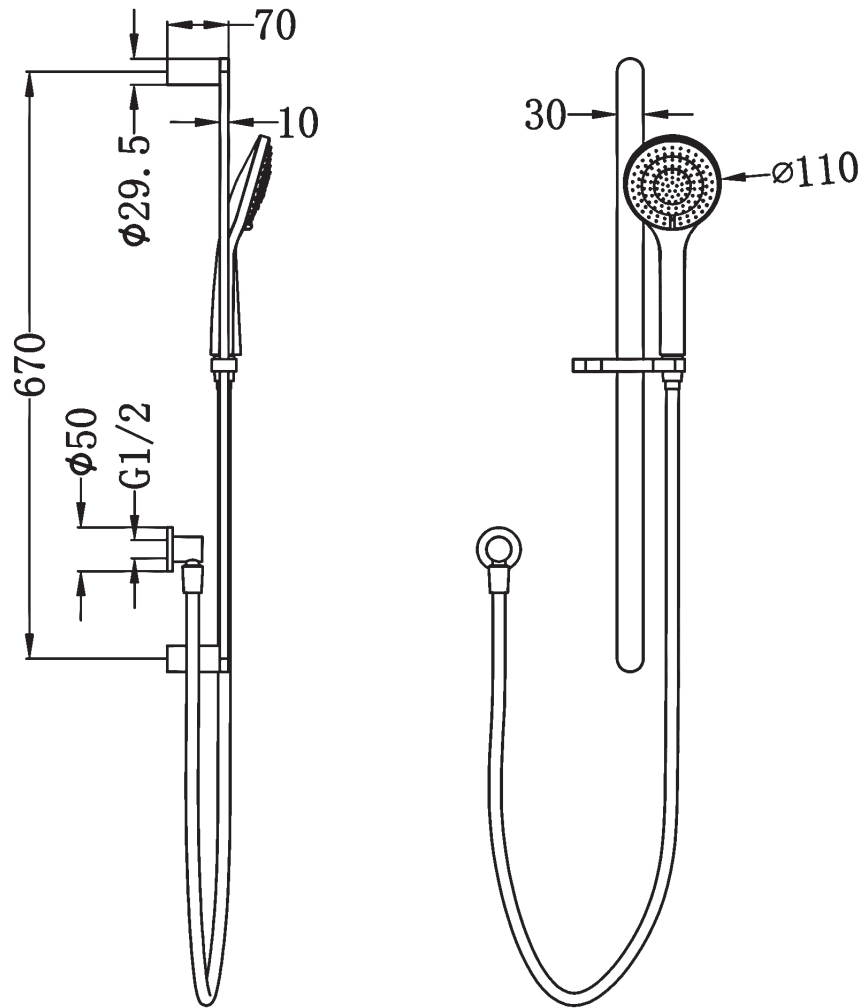
MAINTENANCE AND CARE

All surfaces should be cleaned with mild liquid detergent or soap and water. Do not use cream cleaners or citrus based cleaning products, as they are abrasive. Use of unsuitable cleaning agents may damage the surface. Any damage caused in this way will not be covered by warranty.

PACKING INCLUDES

- 1x hand shower
- 1x shower rail
- 2x shower bracket
- 1x shower elbow
- 1x 1.5m PVC hose
- 1x installation kit





2. The inlet of the shower hose is connect to a wall elbow installed by the plumber at a suitable height.

4. This product may not be suitable for use with gravity-fed water heaters, low pressure supply networks, instantaneous water heaters, tempering valves and thermostatic mixing valves.

Dimensions are approximate. Information provided in this brochure is representative of the actual products available at the time of printing. Due to our policy of continuous product development the designs and specifications depicted are subject to change without notice. Please confirm all particulars with your sales consultant prior to purchase. Each product is covered by a limited warranty. Full terms and conditions are available from your sales consultant.