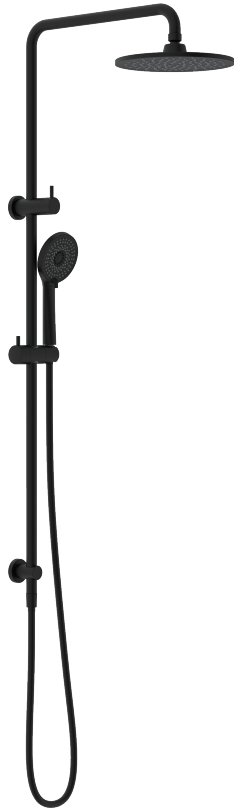



Project Twin Shower



SPECIFICATION

PRODUCT CODE	YSW2321-05
WELS RATING	4Star 7.5L/Min
WATERMARK LICENSE	WM-060093
TEMPERATURE RATING	Min 1°C -Max 75°C
PRESSURE RATING	Min 150KPa-Max 500Kpa

AVAILABLE FINISH

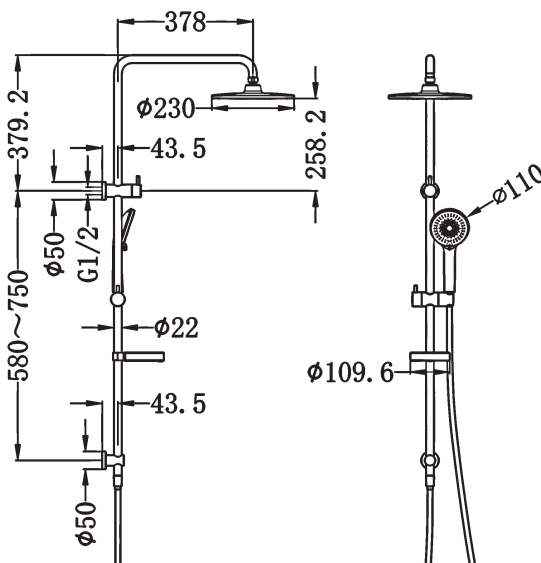
	MATTE BLACK NR232105MB
---	---------------------------

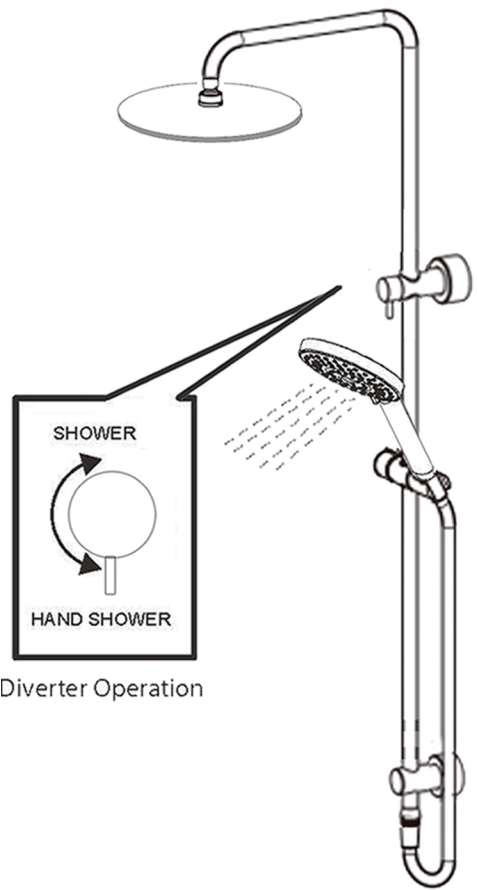
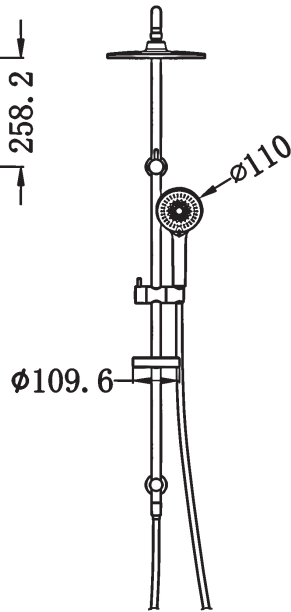
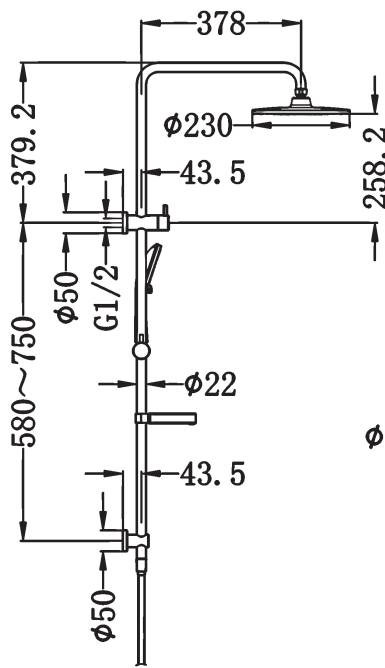
MAINTENANCE AND CARE

All surfaces should be cleaned with mild liquid detergent or soap and water. Do not use cream cleaners or citrus based cleaning products, as they are abrasive. Use of unsuitable cleaning agents may damage the surface. Any damage caused in this way will not be covered by warranty.

PACKING INCLUDES

- 1x hand shower (built-in check valve)
- 1x shower head
- 1x shower rail
- 1x shower arm
- 1x 1.5m PVC hose
- 1x installation kit





1

Shower Wall Outlet hole 25mm diameter

600-650mm recommended

lower mounting adaptor hole 7mm diameter

2

Apply teflon tape

Screw threaded adaptor to wall outlet. Tighten firmly with allen key

Push appropriate plastic plug into drilled hole. Locate lower mounting adaptor over hole and firmly screw in place.

3

Shower Arm

Inlet Body

Main Tube

Plug shower arm and main tube onto the inlet body

Tighten 2 grub screws located at the rear of the Main Tube

4

Adjust Lower Body to correct position and tighten grub screw.

Position Shower Rail over Wall Inlet Adaptor and lower Wall Adaptor and gently push in place. Fasten Shower rail by tightening top and bottom grub screws.

5

Rubber Washer

Insert washers and flow restrictor as shown into Shower Rose. Screw Shower Rose to arm.

6

Rubber Washer

Insert washers and flow restrictor as shown into Shower Hose. Screw Shower Hose to Hand Shower and Shower Rail

Test and check for leaks