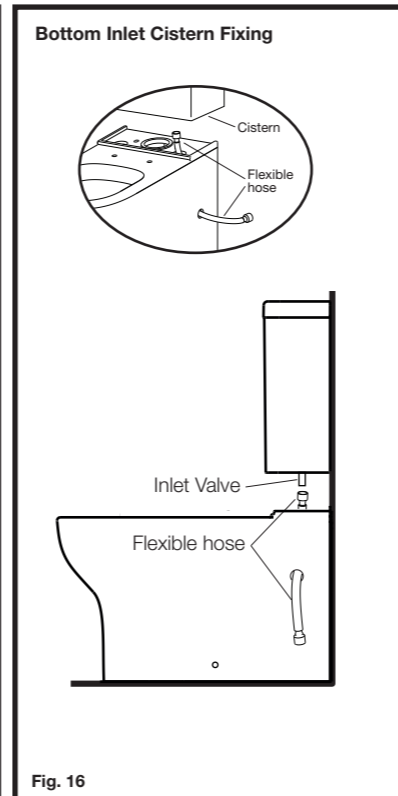
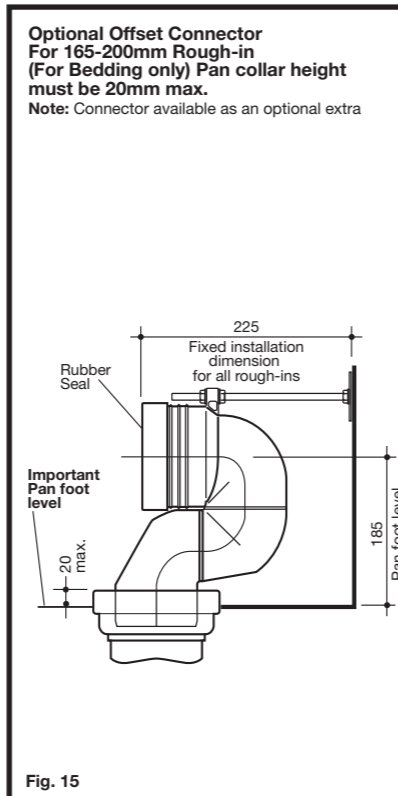
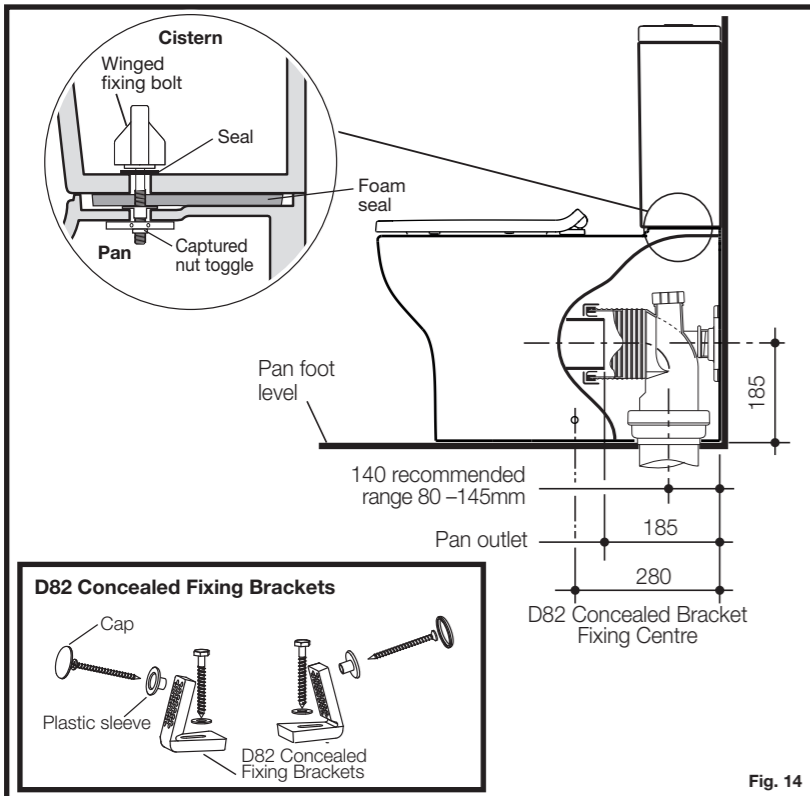
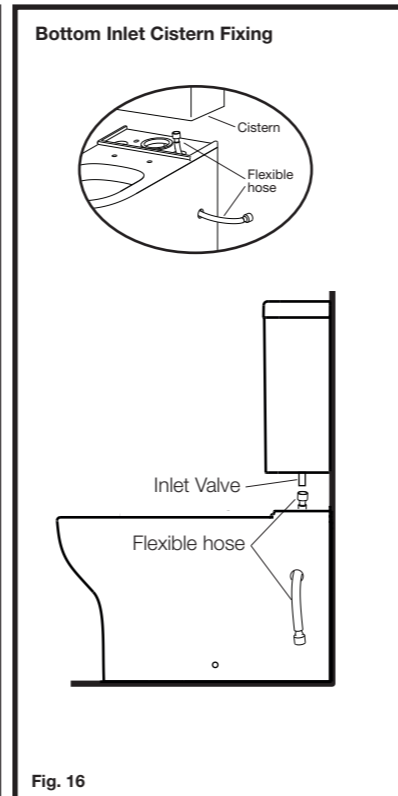
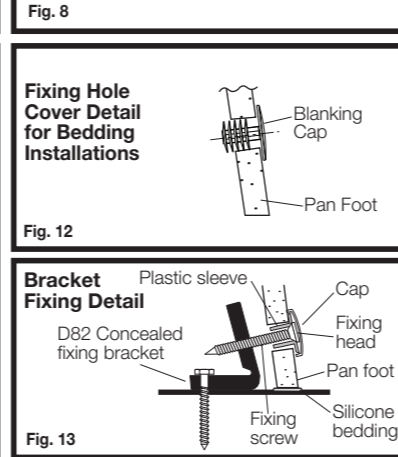
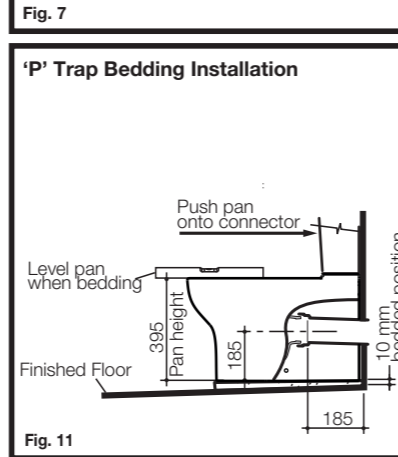
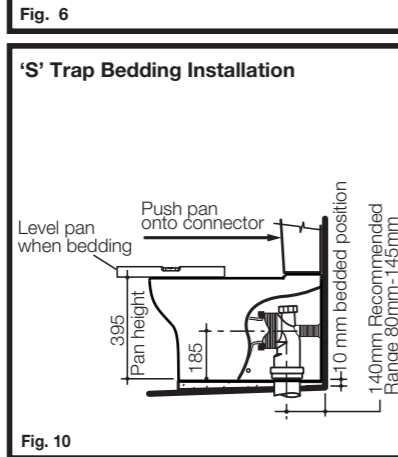
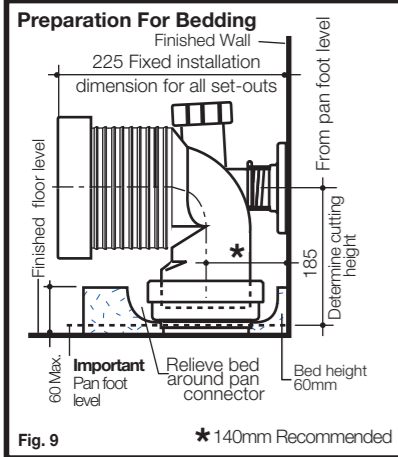
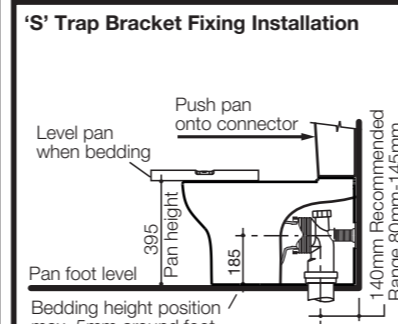
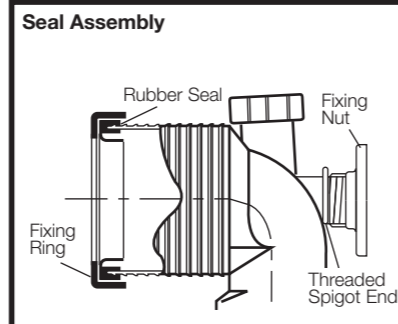
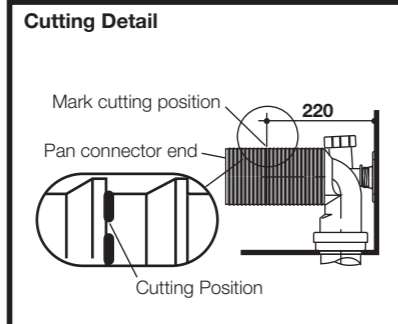
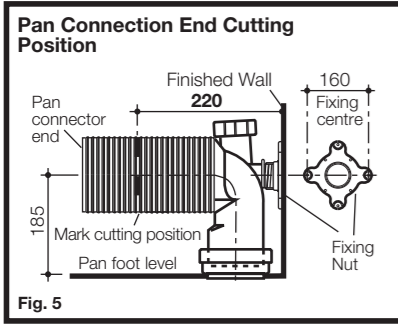
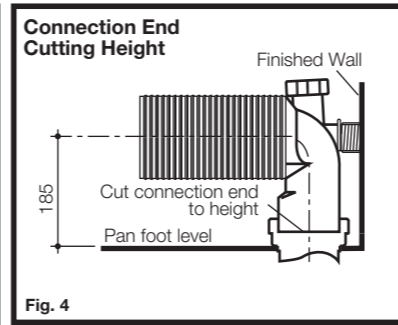
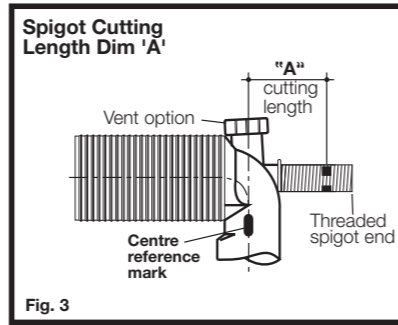
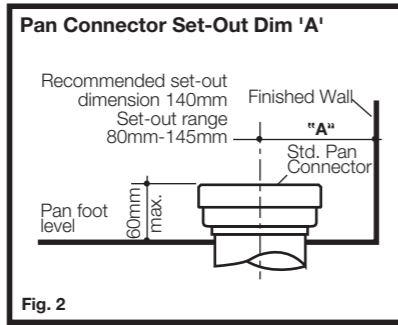
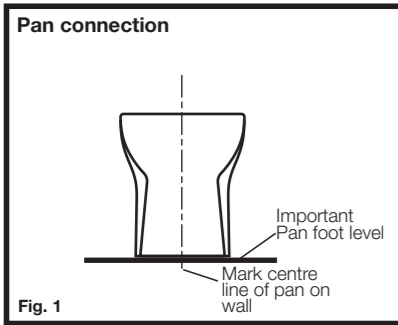


Dorado Wall Faced Close Coupled Pan

PLUMBERS INSTALLATION INSTRUCTIONS For Vitreous China Dorado Wall Faced Close Coupled Pan PLEASE READ CAREFULLY BEFORE INSTALLATION



ROUGHING IN:

The Dorado pan is universal for both 'S' and 'P'-Trap installations as detailed. The recommended set-out for 'S'-Trap installations is 140mm from the finished wall with set-out flexibility for existing soil pipe positions ranging from 80mm-145mm with the Uniconnector supplied. It is important to position the pan collar 60mm Max. from the foot level of pan as detailed in Fig. 2.

Important: For bottom inlet, before installing pan, feed flexible hose through side of pan and up to enable easy connection to cistern inlet valve (refer to Fig. 16.)

Important: Do not use offset connectors with the supplied uniconnector when installing this toilet pan. The use of offset connectors may cause the pan to siphon during the flush cycle.

'S'- TRAP CONNECTOR FIXING PROCEDURE

Uniconnector (supplied) 80mm-145mm set-out range. For 165-200mm set-out use offset connector option Code No.672005 (for bedding only), as detailed in Fig. 15.

1- Mark centre line of the pan on finished wall, as detailed in Fig. 1. This is to be used as a guide when connecting the pan.

2- Determine set-out "A" of existing pan connector, as detailed in Fig. 2. Set-out range 80mm-145mm. Recommended set-out 140mm, as detailed in Fig. 9. Optional offset connector can be purchased for 165-200 rough-in, (bedding only). For 'P' trap installation, see Fig. 11.

3- Determine and mark the cutting length of the threaded spigot by measuring the set-out dimension "A" from the centre reference mark on the Uniconnector. Cut threaded spigot to size, as detailed in Fig. 3.

4- Fit Uniconnector to pan connector and determine cutting length of connection end to provide standard seal and centre height of 185mm from the pan foot level. Allow 10mm for bedding if required. Remove and cut to length, as detailed in Fig. 4.

5- Position fixing nut onto threaded spigot and refit Uniconnector into pan connector. Mark top three centre hole positions of the fixing nut on the finished wall. Determine and mark cutting position of pan connection end 220mm from finished wall and remove connector, as detailed in Fig. 5.

6- Cut pan connection end at the back of the serration which is nearest to the mark. Remove any rough edges and chamfer with fine file, as detailed in Fig. 6.

7- Drill holes in wall and fit suitable wall fixings, as detailed in Fig. 5.

8- Position Rubber Seal over the front of the Uniconnector and secure with the fixing ring, as detailed in Fig. 7.

9- Screw Fixing Nut on to threaded spigot end. Refit Uniconnector into pan collar and secure Fixing Nut to wall with screws. Lubricate Rubber Seal with soap solution to aid with pan outlet connection.

10-Prepare for pan fixing method (either bedding or bracket installation) as detailed below.

PAN FIXING PROCEDURE

Pan bedding:

1- Remove an area of tiles which are within the internal area covered by the foot of the pan to expose the sub floor and provide a bondage key for the bedding mixture.

2- Ensure that the bedding area is clean and free of building material.

3- Locate and fix cover caps (supplied) into pan fixing holes, as detailed in Fig. 12.

4- Prepare bedding sand cement mixture 3:1 to a depth of 60mm, as detailed in Fig. 9.

Note: Do not fill the foot of the pan with bedding mix or include lime or fast drying cement into the mix, these may cause cracking in the foot of the pan.

5- Locate the cistern onto the pan and check that the cistern is level (side to side) and aligned with the tiling edges. Adjust pan position if necessary. Allow bedding mixture to set for at least 24 hours prior to use.

6- Position and push pan into connector using the marked centre line on the wall as a guide and level pan into bedding mixture, so that the back of the foot of the pan is approximately 10mm above the finished floor, as detailed in Fig. 10 & 11. It is recommended that wedges are used to support the foot of the pan during the positioning.

Bracket fixing:

1- Position and push pan into connector using the marked centre line on the wall as a guide to ensure that all fittings locate correctly. Remove the pan.

2- Locate the D82 Concealed Fixing brackets (supplied) into position on centre line of pan 280mm from the finished wall and mark bracket fixing hole centres on finished floor.

3- Drill two holes in the marked positions on the floor. The hole diameter is dependent on the type of fixing system and floor finish.

4- Secure brackets to finished floor.

5- Ensure that the area around the floor is clean and free from building material.

6- Run a bead of acetic silicone sealant at a height of approximately 8mm fully around the foot of the pan which contacts the floor. Use Wedges around the foot base (if required) so that the **maximum height of silicone is not greater than 5mm on completion on bedding.**

7- Connect pan to connector and locate plastic fixing sleeve into holes in the pan. Fit screw into the bracket and tighten to bed pan to floor while ensuring level, as detailed in Fig. 13.

IMPORTANT-DO NOT OVER TIGHTEN, AS THIS MAY CRACK THE PAN FOOT.

Snap on plastic cap (supplied), as detailed in Fig. 13.

8- Provide support under the pan foot so that it is maintained in the levelled position while the silicone sealant sets. Remove any excess sealant to provide a neat joint between the pan and the floor. Allow at least 24 hours for the silicone sealant to set before use.

All measurements are subject to accepted manufacturing tolerances. To ensure accuracy please check actual product dimensions before drilling for installation. The manufacturer reserves the right to change specifications at any time without giving prior notification. This product should be installed by a qualified plumber. Local authority, Water Board, and Building Regulations may apply to the installation of this product, and you should consult the appropriate bodies on these requirements.