

# EZI Frame

## On-site Bath Installation Frame

Product Code: **EZF001** (small, end waste) ,**EZF002** (large, end waste),  
**EZF003** (small, centre waste) ,**EZF004** (large, centre waste),

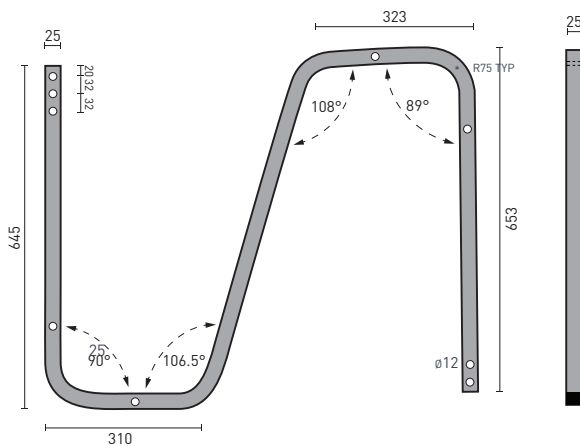
The EZI Frame is an optional structural, bath support frame suitable for select Decina rectangle & oval baths & spa baths between 1500-1800mm in length, with a baseboard. This steel frame is adhered to the base of the bath on-site, by the installer or builder. At least 48 hours drying time is required for the adhesive before the bath can be installed & the adjustable, self-leveling feet screwed down to touch the sub floor.

- Adjustable self-leveling feet add 55-170mm
- 1.6mm Galvanised steel
- Simplify the installation process by eliminating the need for further steel framing, a wet bed slurry or a mortar bed\*
- Low cost & time saving
- Protect against the bath warranty

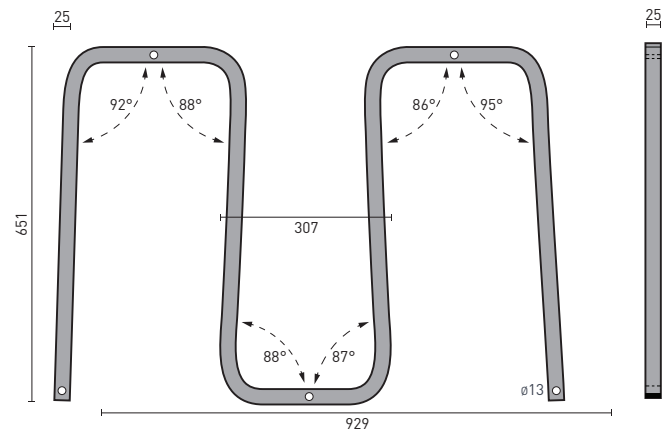
\*If being used as a shower bath installation an additional mortar base support is required between the frame & the floor.



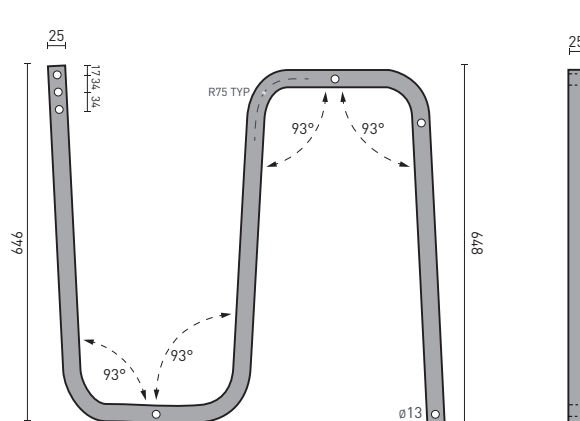
SMALL END WASTE FRAME (Suits 1500mm baths) **EZF001**



SMALL CENTRE WASTE FRAME (Suits 1500mm baths) **EZF003**



LARGE END WASTE FRAME (Suits 1600-1800mm baths) **EZF002**



LARGE CENTRE WASTE FRAME (Suits 1600-1800mm baths) **EZF004**

