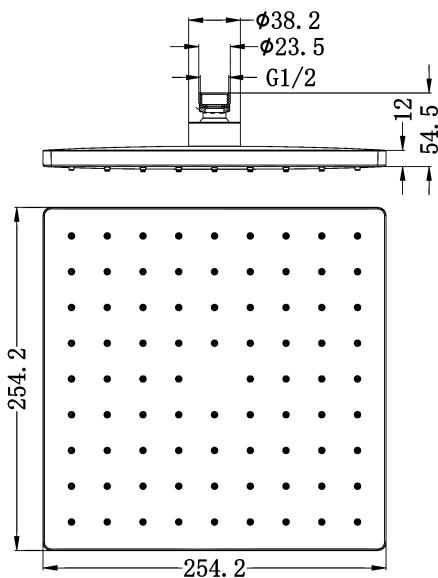
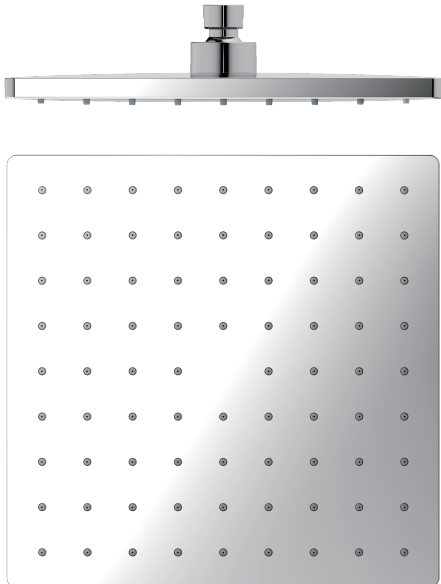





## 250mm ABS SQUARE SHOWER HEAD



### SPECIFICATION

PRODUCT CODE	508089
WELS RATING	3Star 9L/Min
WATERMARK LICENSE	WM-060093
TEMPERATURE RATING	Min 1°C-Max 75°C
PRESSURE RATING	Min 150KPa-Max 500Kpa

### AVAILABLE FINISH

	CHROME NR508089CH		MATTE BLACK NR508089MB
	BRUSHED NICKEL NR508089BN		

### MAINTENANCE AND CARE

All surfaces should be cleaned with mild liquid detergent or soap and water. Do not use cream cleaners or citrus based cleaning products, as they are abrasive. Use of unsuitable cleaning agents may damage the surface. Any damage caused in this way will not be covered by warranty.

### PACKING INCLUDES

-1x shower head

