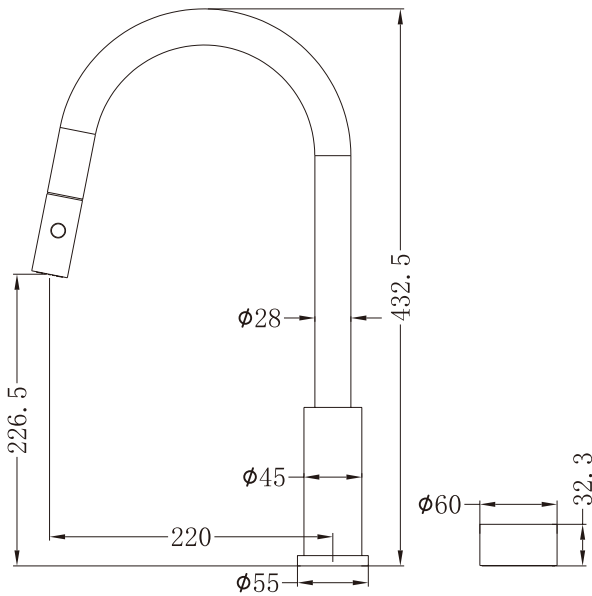


## Kara Progressive Pull Out Kitchen Set



Dimensions are nominal measurements only.








Versions: 2022.06

### SPECIFICATION

PRODUCT CODE	YSW2719-08
WELS RATING	5 STAR 5L/MIN
WATERMARK LICENSE	WM-060073
TEMPERATURE RATING	MIN 1°C-MAX 75°C
PRESSURE RATING	MIN 150KPa-MAX 500KPa

### FINISH

	CHROME NR271908CH		MATTE BLACK NR271908MB
	BRUSHED NICKEL NR271908BN		GUN METAL NR271908GM
	BRUSHED GOLD NR271908BG		

### MAINTENANCE AND CARE

All surfaces should be cleaned with mild liquid detergent or soap and water.

Do not use cream cleaners or citrus based cleaning products, as they are abrasive.

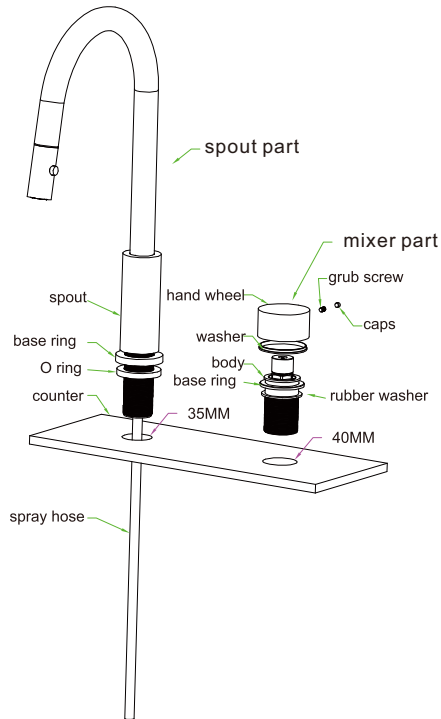
Use of unsuitable cleaning agents may damage the surface. Any damage caused in this way will not be covered by warranty.

### PACKING INCLUDES

- 1x pull out sink spout
- 1x hand wheel
- 1x base ring
- 1x counter weight
- 1x triangular support
- 1x extension hose
- 1x copper outlet pipe
- 2x flexible hose
- 1x installation kit

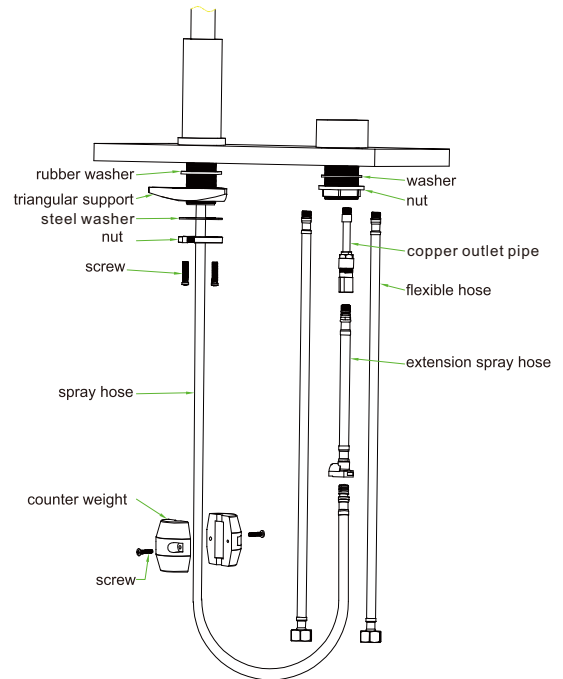
## Installation Instruction

1



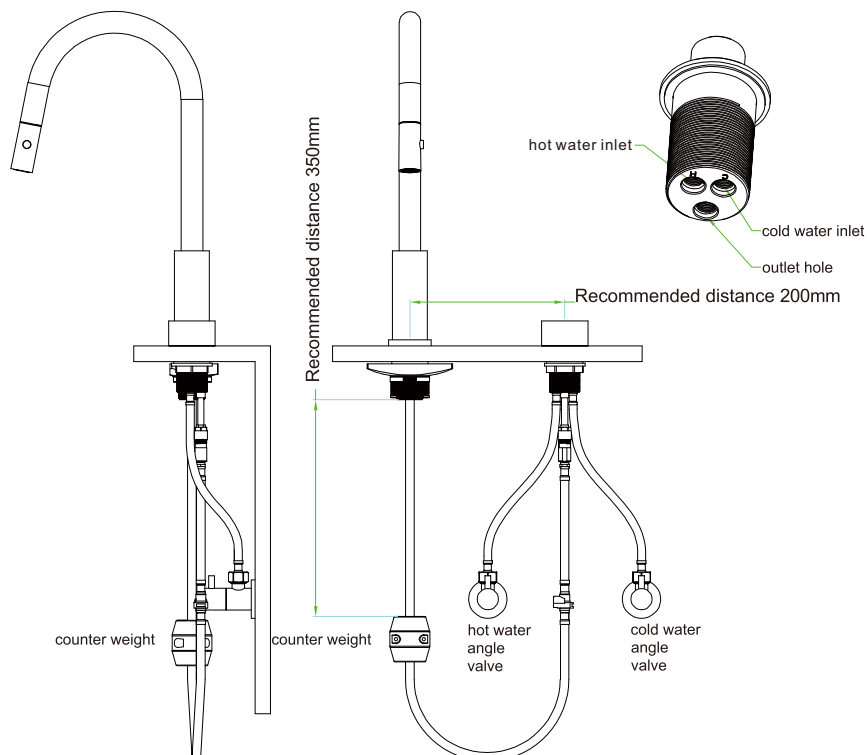
1. Drill a 35mm (for spout) and a 40mm (for mixer) through-hole on the counter. (The counter thickness must be between 20mm to 40mm)  
The recommended distance of the two holes is 200mm, reference to below diagram.
2. Remove all fitting parts on the thread pipe for both spout part and mixer part.  
Put on base ring for spout part, then put spout part and mixer part through the two holes.

2



3. Slide rubber washer, triangle plate and steel washer and lock nut onto spout part in a row according above diagram. Then slide rubber washer and nut onto mixer part.
4. Screw on copper outlet pipe, hot and cold flexible hoses onto mixer part according to below diagram.
5. Connect extension spray hose onto copper outlet pipe. Then connect pull out hose to extension hose by quick joint.
6. Install counter weight onto pull out hose firmly. The recommended installation height of weight is 350mm from the counter bottom side, please reference to below diagram.

3



7. Check and test for leak.