

Nero

THIS SENSOR TAP MUST BE INSTALLED BY A LICENSED PLUMBER IN ACCORDANCE WITH LOCAL REGULATIONS

This Nero sensor tap is manufactured to standard AS/NZS 3718.

MAX OPERATING PRESSURE.....5 bar (500kPa)
 RECOMMENDED OPERATION PRESSURE.....1.5-5 bar (150-500kPa)
 MAX HOT WATER TEMPERATURE55°C
 RECOMMENDED HOT WATER TEMPERATURE.....50°C

Where water pressure exceeds 500kPa, a pressure reducing device is required to be installed.
 Note that water pressure overnight can reach 150% of the daytime pressure

Before attempting any work involving mains water supply lines, ensure the water supply is shut off.

Stop valves (preferably with filters) must be used when installing your Nero tap to allow isolation.
 Failure to do so where required will void warranty.

This sensor tap must be installed in accordance with these instructions.

Nero

NR402CH/NR402MB/NR402BN/
 NR402BG/NR402GM/NR402BZ/NR402MW



HOB MOUNT SENSOR TAP

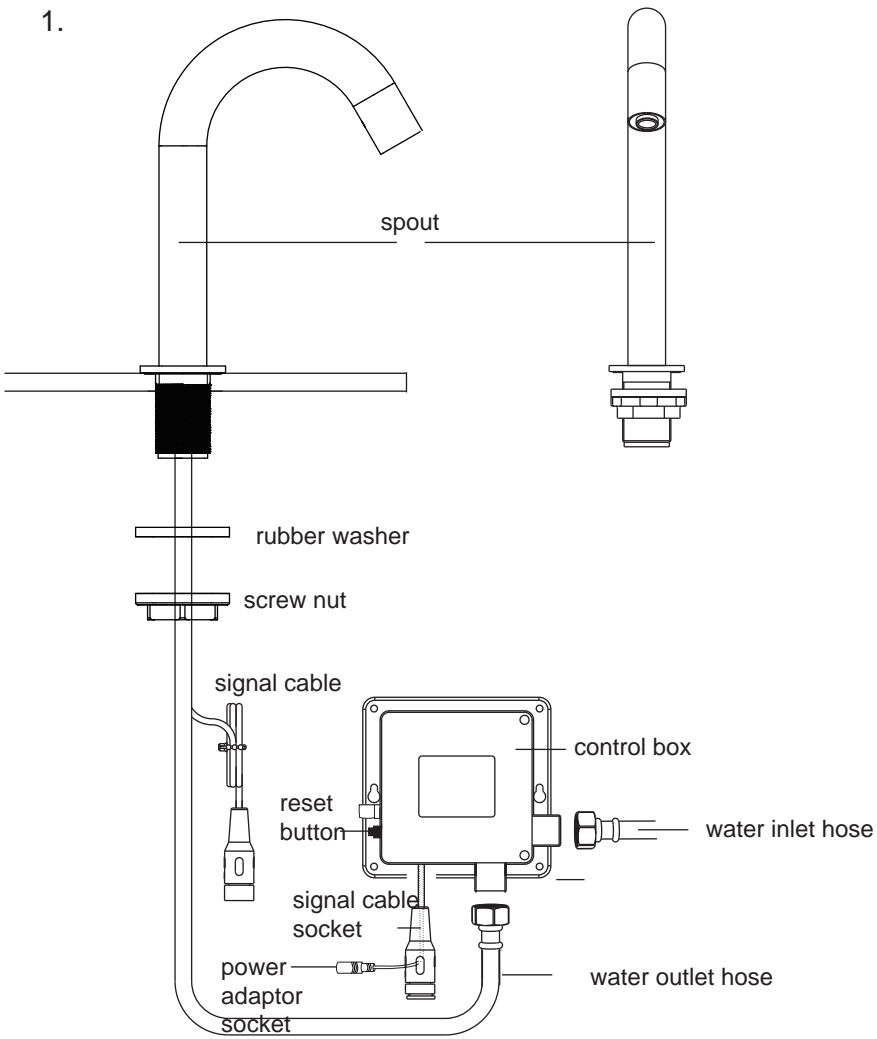
CARE & MAINTENANCE

Clean with a soft cloth and warm soapy water as necessary - rinse and dry after cleaning. Under No Circumstances should abrasive or acid based cleaning products be used

PACKING INCLUDES

- 1x sensor tap
- 1x control box
- 1x power adapter
- 1x dressing ring
- 1x flexible hose
- 1x installation kit





Nero

Installation Instructions

General Note: This product is to be installed by a licensed plumber, installation must comply with AS/NZS 3500 and local plumbing codes

Pressures & Temperatures

Maximum Hydrostatic Pressure – 500 kpa. (As per AS/NZS3500)

Note: AS/NZS 3500.1-2003 (Clause 3.3.4) states that “Provision shall be made to ensure that the maximum static pressure at any outlet, other than a fire service outlet, within a building does not exceed 500 kPa.

Note: Pressures above 500kPa can cause damage from water hammer, reduced life of appliances, taps and fittings, and cause excessive noise in the system.

Minimum Hydrostatic Pressure – 100 kpa

The Maximum operating temperature for the Sensor Tap is 55 C.

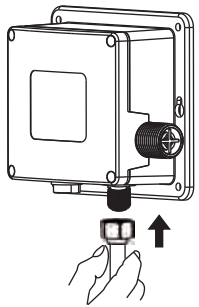
Please ensure that the lines are flushed prior to installation as contaminates in the water can damage the flow regulator and also affect the performance of the Sensor.

Safety- DO NOT connect unit to mains power or turn on mains water supply until Sensor tap and control unit is fully installed.

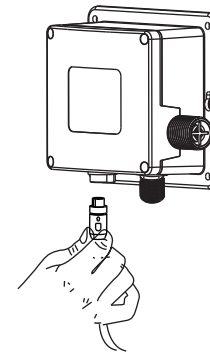
1. Remove product from packaging and check for damages, if the product is damaged do not install and return to store of purchase.
2. The WELS compliant aerator has been pre-assembled into the tap outlet. To comply with WELS the flow regulator must remain in place.
3. Ensure product is complete as per exploded drawing.
4. A single 35mm hole is required in the mounting surface.
5. Remove Lock nut and thick rubber sealing washer from spout.
6. Put the Inlet hose and signal cable through the mounting hole ensuring thin bench sealing washer is in place on the base of the spout.
7. Assemble thick washer and lock nut to spout and tighten
- N.B Spout thread has two flats to allow for spanner engagement to hold spout in place while tightening lock nut.
8. Position Control box on wall considering length of Spout outlet hose and signal cable.
- Control unit must be within 500mm from Basin, refer to Diagram (5) & (6) for correct positioning of control box.
- Using wall toggles supplied or suitable wall toggles and screw to suite wall material fit control box to wall.
- Ensure control unit is fixed to a vertical wall in a position away from moisture and is always kept dry.
- N.B Control box must be installed with inlet thread to Right, outlet thread to the bottom on a vertical wall, do not assemble in a horizontal position. Diagram (1, 5, 6)
9. Fit spout outlet hose to control box outlet 1/2" BSP thread. Diagram (2)
10. Fit Spout Signal cable socket to control box socket. Align ends, push together and tighten socket nut by hand. Diagram (3)
11. Connect Inlet Water supply to 1/2" BSP thread on the control box inlet, (right hand side of control box) turn water supply on and check for leaks at all connections. Diagram (4)
- N.B Stop valves (preferably with filters) must be used when installing your Oliveri Tap to allow isolation.
- AC Mains Power only
12. Connect control box power socket to AC power adaptor. Diagram (7)
- N.B If using batteries only push control box socket into rubber protection boot on left side of control box to protect terminal ends.
- DC Battery Power only
13. Remove the four screws holding the face plate on the Control box.
- Unplug the AA battery box from the control box, remove single screw holding cover on battery box. Fit four AA batteries in battery box as shown in battery box diagram.
- Reverse process to fit battery box back into control box. Diagram (8)
14. Wipe down spout and sensor window situated at the end of the spout. Diagram (9)
15. Turn power on if connected to AC power.
16. Hold Red reset button located on the left-hand side of the control box in for 2 seconds to enable sensor to learn the IR distance to the basin. Diagram (10)

To the consumer

1. The tap is to only be cleaned with warm soapy water and a soft cloth.
2. **Under No Circumstances** should any abrasive, cream or acid based cleaning agents be used as these types of cleaners will damage the chrome finish, Cartridge, seals and aerators.

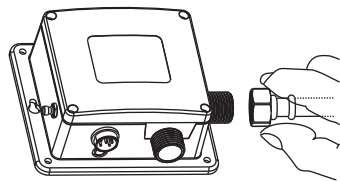


2. Water outlet connection



3. Signal cable connection

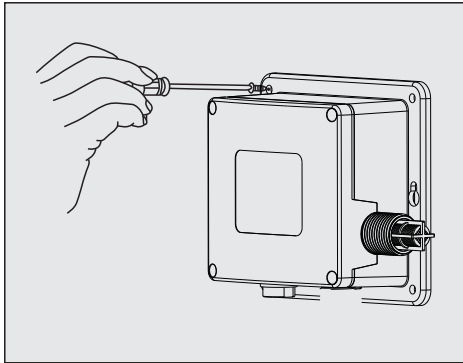
Connect signal cable with control box, then screw tightly.
Note: Should keep the signal cable clear and dry.



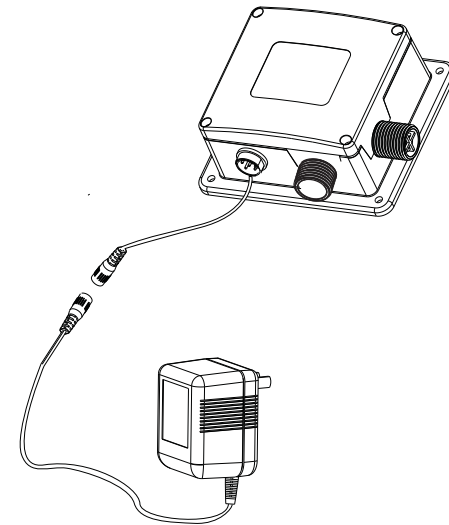
4. Water inlet connection

Note: Be sure no water leakage after connecting water

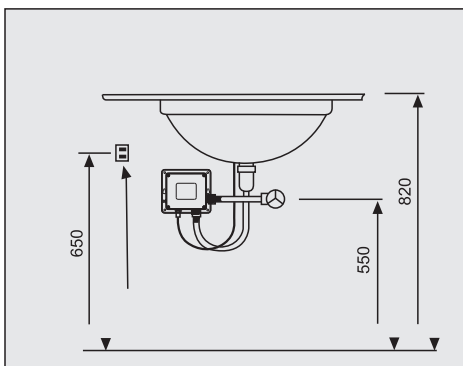
5. Installation control box



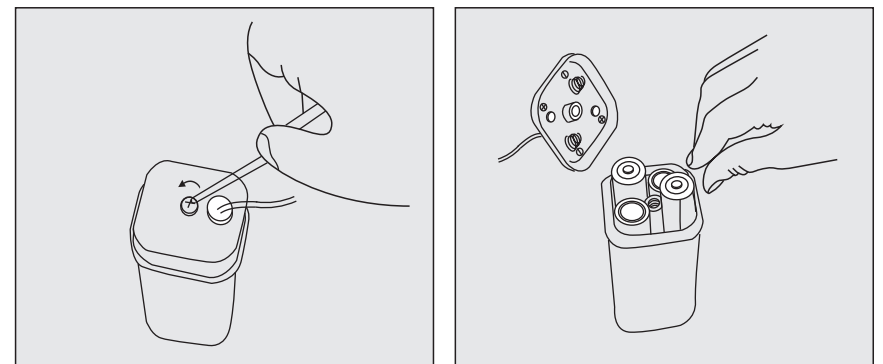
7. AC power adaptor



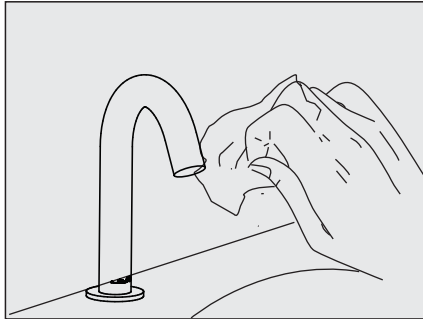
6. The installation drawing of control box



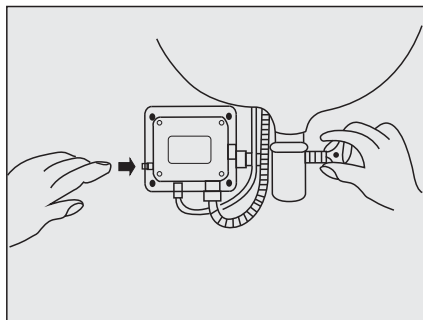
8. DC battery box located in the control box.



9. Clean sensor window



10. Press red reset button on the control box for 2 seconds to enable sensor to learn the IR distance to basin.



Technical Specification

power	DC: 6V (4AA alkaline batteries)
power consumption	DC: stanyby≤0.2mW
sensing distance	10-30cm
water pressure	0.1MPa-0.5Mpa
temperature	1℃-55℃
thread standard	G1/2"
flux	0.05-0.125L/s

Feature and Function

1. water saving
when your hands enter the sensing range, the indicator light in the sensor window will shine, then water flows out and stops immediately once you draw them back. If water flow stops and more water is required, draw back your hands for 4 seconds and reposition in tap sensor range.
2. Hygienic
Automatic on/off to free hands from any touching, avoiding bacteria infection, which is more convenient and hygienic.
3. Intelligent
Micro-chips controlling, the tap self-adjusts to the best detection zone and has the function of anti-light and anti-ultraviolet rays.
4. Automatic protection
Automatically stops after 70 seconds to avoid water wasting, if water flow stops and more water is required, draw back your hands for 4 seconds and reposition in tap sensor range.