



Oliveri Inset and Island Baths carry the following domestic warranty:  
**15 years replacement product / 1 year labour**  
 Visit [oliveri.com.au](http://oliveri.com.au) for full details.

**Please note: It is the responsibility of you and/or the installer to ensure that prior to installation:**

- the Product is not damaged; and
- the Product has all its components.

**Following installation of your Product, it is your responsibility to ensure all required maintenance is performed.** If the product is incorrect or has a genuine manufacturing fault, it must NOT be installed. The Product can be returned, with proof of purchase, to the location it was purchased.

If you are a consumer as defined under the Australian Consumer Law, our goods come with guarantees that cannot be excluded under the Australian Consumer Law. You are entitled to a replacement or refund for a major failure and compensation for any other reasonably foreseeable loss or damage. You are also entitled to have the goods repaired or replaced if the goods fail to be of acceptable quality and the failure does not amount to a major failure.

The Oliveri Warranty is in addition to all your rights and remedies under the Australian Consumer Law.

The Oliveri Warranty only applies to you if you are the original purchaser of the Product. It is not transferable.

Subject to the terms contained in the full Oliveri Warranty document available at [oliveri.com.au/service-and-warranty-au](http://oliveri.com.au/service-and-warranty-au), where a genuine manufacturing defect arises in your Oliveri Inset or Island Bath during the course of normal domestic or commercial use within the warranty period, Oliveri will, at its election repair the defect or replace the Product.

Your Oliveri Warranty does not cover scratching or any defect or damage caused, or partly caused by, or arising through: fair wear and tear (e.g. surface deterioration or scratching from cleaning etc.); incorrect storage or handling of the Oliveri Inset or Island Bath; failure to correctly install, use or maintain the Product or to follow any instructions or guidelines for installation, use or maintenance of the Oliveri Inset or Island Bath; faulty design of a system in which the Product is used; the use of the Oliveri Inset or Island Bath other than for any application specified on a quote or order form, price book or catalogue issued by Oliveri; the continued use of the Product after any defect becomes apparent or would have become apparent to a reasonably prudent operator or user; or any accident or act of God.

This Warranty will be void if certain events arise including:

- You are unable to provide proof of purchase or equivalent documentation from an authorised retailer of your Oliveri Inset or Island Bath;
- If:
  - your Oliveri Inset or Island Bath is not installed by a licensed plumber or qualified tradesperson, (as appropriate);

- your Oliveri Inset & Island Bath is not installed in accordance with the recommended design guidelines or installation instructions; and
- unauthorised modifications are made to your Oliveri Inset or Island Bath.

Full details of exclusions and limitations are set out in the full Oliveri Warranty document available at: [oliveri.com.au/service-and-warranty-au](http://oliveri.com.au/service-and-warranty-au)

To the fullest extent permitted by law and subject to and without limiting your consumer rights under the Australian Consumer Law, Oliveri expressly limits its liability under this Oliveri Warranty and under any other statutory guarantee imposed at law to, at its option:

- the replacement or repair of the Oliveri Inset or Island Bath;
- the supply of an equivalent Oliveri Inset or Island Bath; or
- the payment of the cost of the Oliveri Inset or Island Bath or of repairing the Product or of acquiring an equivalent Oliveri Inset or Island Bath.

To the fullest extent permitted by law, Oliveri expressly excludes:

- all liability for damage or injury to any person;
- damage to any Property;
- loss of profit, loss of revenue, loss of use, loss of business, loss of opportunity, loss of goodwill, loss of contracts, loss of production, business interruption or any kind of indirect, special or consequential loss or damage arising in connection with the defective product; and
- all conditions, warranties and undertakings in relation to the Oliveri Inset or Island Bath except as set out in the full Oliveri Warranty document available at [oliveri.com.au/service-and-warranty-au](http://oliveri.com.au/service-and-warranty-au)

**SERVICE / WARRANTY CLAIMS**

To make a warranty claim, please contact Oliveri by phone on: 08 8348 6444 or by email: [warranty@oliveri.com.au](mailto:warranty@oliveri.com.au). **You must bear your own costs incurred in making a warranty claim.** No specific claim form is required however the following documentation must be supplied as part of your claim:

- proof of purchase;
- handover documentation (for new homes);
- your contact details, including the address of the installed Product;
- photo/s of your Product and the defect in question; and
- details of the warranty claim including date of installation, installer details, and description of the product fault.

**Oliveri Solutions Pty Ltd** ABN 12 007 551 886  
 51 Naweena Rd, Regency Park SA 5010  
 P 08 8348 6444 E [sales@oliveri.com.au](mailto:sales@oliveri.com.au)



# Munich

## Island Bath



**THIS PRODUCT MUST BE INSTALLED BY A QUALIFIED TRADESPERSON**

## Installation Instructions

Congratulations on purchasing an Oliveri bath. It represents the very best of Australian design ideas combined with well proven construction techniques. Oliveri products are manufactured to stringent Australian Standards, so you can be assured of safety and reliability.

The Munichs' elegant, simple lines create the perfect balance of form and function. Manufactured from premium sanitary grade acrylic, the bath is durable and easy to clean. Additionally this bath base has been reinforced with a resin and fiberglass coating for superior sturdiness and durability.

Correct and proper use of your bath will ensure its long-lasting life. Please consult the Caring for Your Bath section of this manual for advice on cleaning and regular maintenance.

### Features

- 15 year warranty (see [oliveri.com.au](http://oliveri.com.au) for details)
- Manufactured to AS/NZ Standard 2023/1995
- Steel rod reinforced rim
- Double reinforced bath base
- End waste position\*

\*Plug and waste not included

### STOP AND READ CAREFULLY

#### PRE-INSTALLATION CHECKS

**Inspect the acrylic surface of the bath for damage. Damage found after installation is not covered by the manufacturer's warranty conditions. ANY CLAIMS FOR DAMAGE WILL NOT BE ACCEPTED AFTER INSTALLATION.**

**Protect your bath before and during installation. Scratches, cracks or other surface damage sustained during or after the installation are NOT COVERED BY WARRANTY.**

**Installation must only be carried out by a QUALIFIED TRADESMAN and in accordance with building regulations and any local authority requirements.**

**REMOVE PLASTIC FILM prior to installation.**

**We recommend that 'pre-framing' work be carried out when the product is on-site.**

**Do not install bath on foam.**

# CAUTION

Risk of personal injury. Baths are heavy and awkward to handle. Get help when lifting or moving. Be sure to use proper tools and always wear personal safety devices for your protection.

## Handling

Please note that this product has been through our rigid quality control procedures which include visual inspection under bright lights. For your peace of mind, please unwrap the bath and check carefully to ensure it has not been damaged in handling or transport which is beyond our control.

**Claims regarding cracks and/or face and/or surface damage will not be recognised after 14 days from when the product was dispatched from our warehouse or 48 hrs after receipt by end user. No such claims will be recognised after installation.**

## BATH INSTALLATION

**INSTALLATION MUST BE CARRIED OUT BY A QUALIFIED TRADESMAN**

Acrylic baths need to be supported under all rims as well as along the full length of the floor of the bath.

## Supporting the Base

### Baths with Self-Supporting Base Pads

Some baths (only those with 5 PVC circles glassed to the base) can be installed on a firm level surface without the need to use a mortar bed. Use a cement based adhesive to glue the base pads to the floor. This must only be done where the support area is completely smooth, clean and level. Spread adhesive liberally over the support floor and base pads and allow adequate time for it to cure. On a timber floor it is necessary to first lay a fibre cement sheet in accordance with the manufacturer's installation instructions. The bath feet must then be adhered to the sheet with a concrete based adhesive.

### All Other Baths

Allow a minimum of 50mm for the mortar bed. Mix the mortar to a dryish consistency to minimise shrinkage and droop. Include a bonding Agent such as BONDCRETE in the mix. It is a requirement of the water authorities that all non-self-supporting baths be supported the full length of the bath base on a mortar mix. When installing an Island bath, the full perimeter also has to be supported by a 'frame' of timber or masonry as per diagram "D".

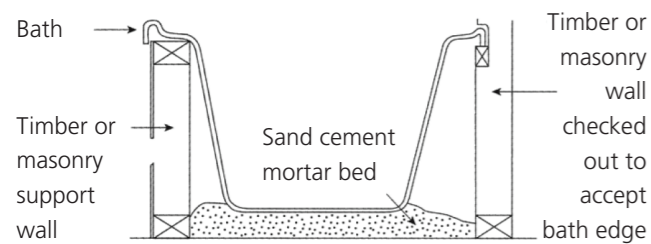


Diagram A



### NOTE

A mortar mix must also be laid to fill the void between the bottom of the bath and the floor within the frame perimeter if the bath is going to be used as a shower/bath. (It is a requirement of Building Authorities and Australian Standards that acrylic baths be fully supported with a mortar mix).

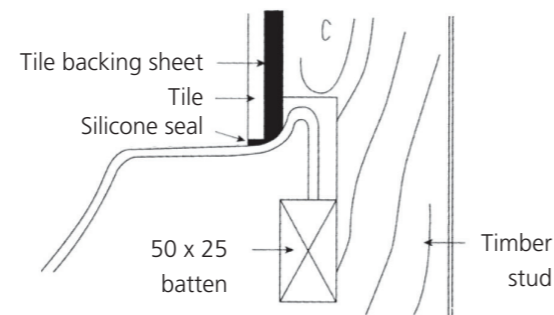


Diagram B

## Detail of Bath to Wall

Where the bath abuts a wall, it must be set back into the wall as detailed in diagram "B". The wall is checked out to a depth that will accommodate the full round of the tiling bead. A batten is fixed to the wall to support the bottom edge of the bath rim. The front and sides of the bath are to be supported on a dwarf wall constructed in either timber or masonry. The front edge of the bath can overlap the wall as shown in diagram "C" or sit on top of the wall to create a ledge as in diagram "D".

## Detail of Bath to Wall ...Continued

When baths are supplied with steel base (and/or base and rim) support frame, the bath should be slipped into position and the top levelled by adjusting the feet on the frames. All of the adjustable feet of the frame must be in full contact with the floor, so that the base is fully supported.

A mortar mix must also be laid to fill the void between the bottom of the bath and the floor within the frame perimeter if the bath is going to be used as a shower/bath.

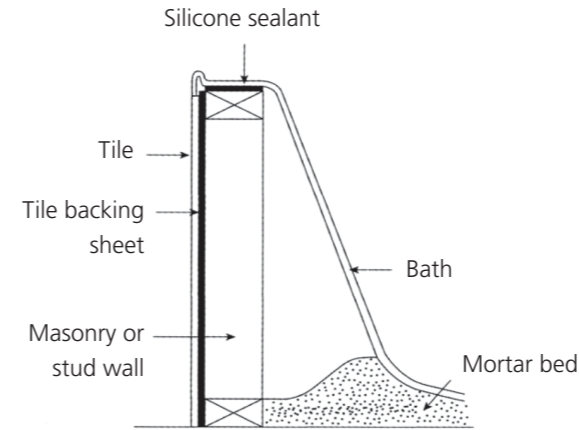


Diagram C

## Tap Holes

Holes for taps can be drilled in the bath using a timber hole saw. Care should be taken not to bottom out the hole saw on the bath as this can leave deep marks in the surface.

To avoid this, cut a 200 x 200mm section of cardboard and drill the required hole through the centre. Leave this cardboard over the hole saw as protection. When drilling acrylic, the points of the drill bits should be eased from the usual chisel angle of 118 degrees to 130 degrees to reduce the chances of grabbing.

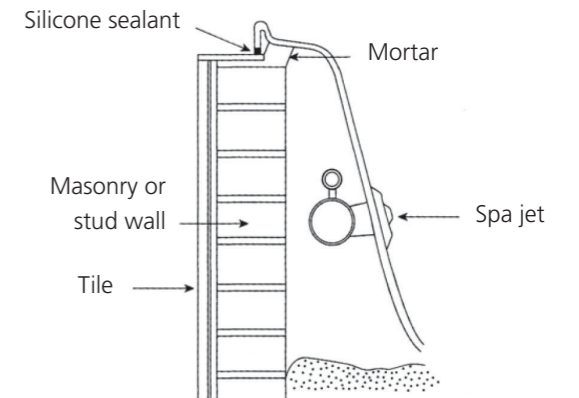


Diagram D

## CARING FOR YOUR BATH

Acrylic has an excellent resistance to most things it is likely to come into contact with in the bathroom. However if it should be exposed to a naked flame, cigarettes or strong solvents they should be removed immediately. To keep your bath in good condition it is recommended you adopt the following:

1. When filling the bath start with cold water to allow the bath to gradually adapt to the temperature.
2. To maintain the bath's good looks it should be cleaned with liquid or gel-type (not powder) household detergent, or all-purpose liquid cleaners such as "Handy Andy" or "Liquid Ajax". Do not use coarse abrasives. However cream-type cleaners such as "Jif" may be used to remove stubborn marks but not on plated fittings.

3. When your bathing is completed it is recommended that you wipe a damp sponge or cloth around the water line to remove any build-up of body fats or soap residue that may result in a "tidemark".
4. If the bath is accidentally scratched it may be restored by using a fine polish such as "Brasso". If this will not remove the damage it can be cut back with either very fine wet and dry paper used liberally with water or car cutting compounds. After removing the damage, restore the gloss of the bath with car polish.

## YOUR BATHING EXPERIENCE

Your bath should be an experience to look forward to, an opportunity to pamper yourself, a retreat from the pressures of life. The temperature of your bath will have a lasting effect on you. A hot bath will leave you totally relaxed for a restful sleep. Run it luke warm and it will leave you fresh and ready to go. Ideally the bath water should not be too hot. Research has shown that a temperature of 35°C (95°F) has the most beneficial effect on the bather. Increasing the temperature to 37°C or above reduces the therapeutic effects on the bather and induces drowsiness.