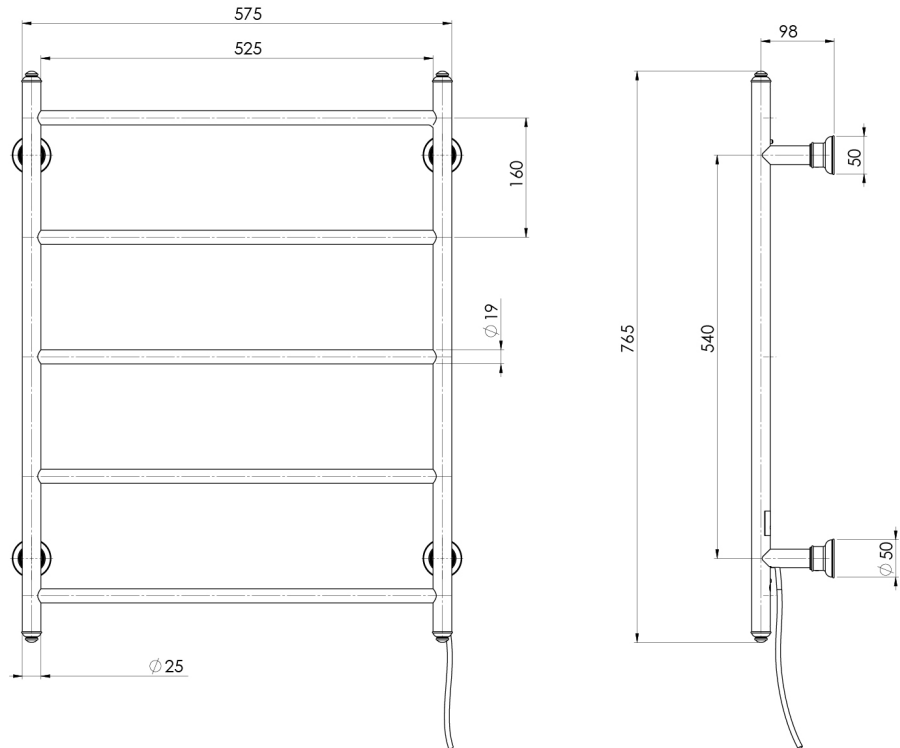


# CROMFORD

## CROMFORD HEATED TOWEL LADDER 550MM X 750MM

## SPECIFICATIONS



### AVAILABLE IN



134-8750-00  
Chrome



134-8750-40  
Brushed Nickel



134-8750-10  
Matte Black



134-8750-12  
Brushed Gold

### INFORMATION



### MAINTENANCE AND CARE:

- All surfaces should be cleaned with mild liquid detergent or soap and water.
- Do not use cream cleaners or citrus based cleaning products, as they are abrasive.
- Use of unsuitable cleaning agents may damage the surface.
- Any damage caused in this way will not be covered by warranty.

Please visit <https://www.phoenixtapware.com.au/warranty> to view the full warranty