

Basin Overflow Ring Black

Product Code: 167767

All dimensions in mm

Warranty	5 years - Waste, Overflow ring and finishes 1 year - seals and labour
-----------------	--

Product Specifications

Colour	Black
Finish	Painted
Material	ABS Plastic
Maintenance & Care	Clean using a soft sponge or cloth with warm soapy water or detergent. Never use abrasive brushes or scourer pads to clean products. Rinse with water immediately after using any cleaning solution



For more information call 1800 BATHROOM (1800 228 476) or visit raymor.com.au

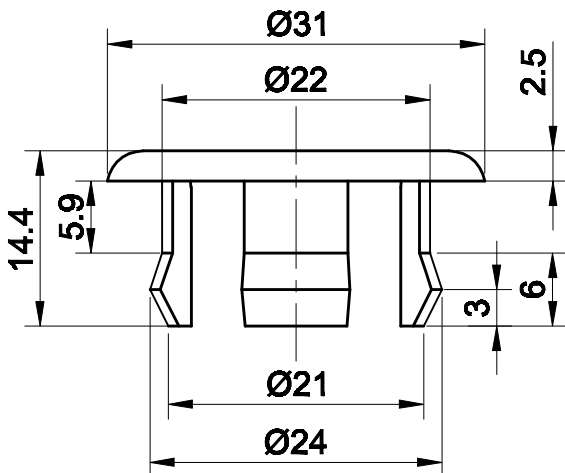
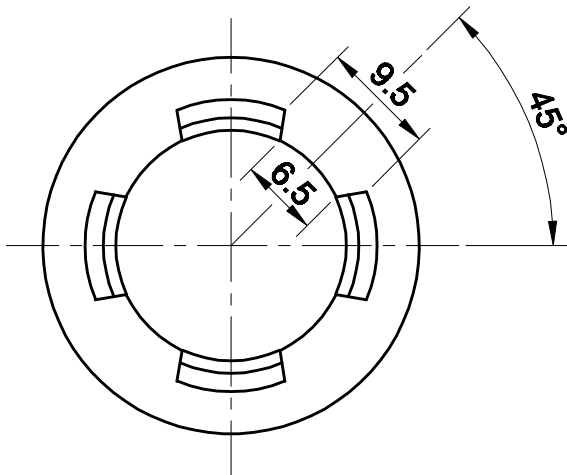
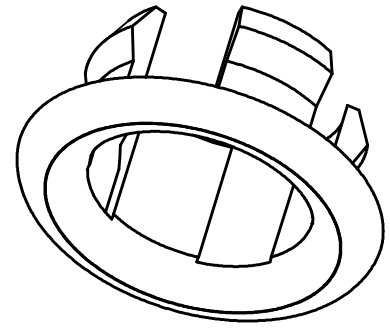
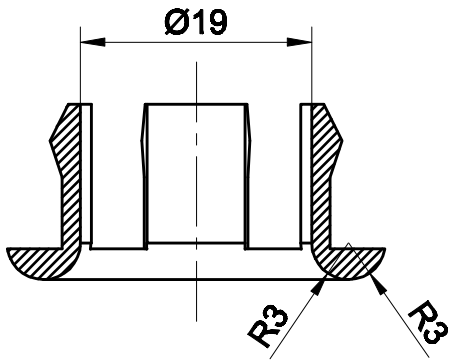
© Registered trademark of Tradelink. All dimensions are in millimetres. Dimensions are approximate and should be checked against the physical product before installation. Changes may be made to this specification without notice due to our commitment to continual improvement. See raymor.com.au for full warranty details.

Raymor[®]

Basin Overflow Ring Black

Product Code: 167767

All dimensions in mm



For more information call 1800 BATHROOM (1800 228 476) or visit raymor.com.au

© Registered trademark of Tradelink. All dimensions are in millimetres. Dimensions are approximate and should be checked against the physical product before installation. Changes may be made to this specification without notice due to our commitment to continual improvement. See raymor.com.au for full warranty details.

Raymor®