

# 16 Degree Angled Pin Lever suits 35mm Black.

Product Code: 285868



## Product Specifications.

|                 |  |                               |   |
|-----------------|--|-------------------------------|---|
| <b>Warranty</b> | 20 years - Mixer Cartridge, Body, Aerator, Hoses, Spout, Handle and Chrome Finish<br>10 years - Handpieces and pull-down hoses<br>5 years - PVD and Electroplate finishes<br>1 year - Seals and Labour | <b>Handle Design</b>          | Angled Pin Lever  |
| <b>Colour</b>   | Black  | <b>Handle Length</b>          | 150mm   |
| <b>Finish</b>   | Electroplating   | <b>Handle Angle</b>           | 16 degrees  |
| <b>Material</b> | Zinc   | <b>Inclusions</b>             | Hot and Cold indicator<br>Warm and Cold indicator   |
| <b>Suits</b>    | 35mm cartridge mixers  | <b>Maintenance &amp; Care</b> | Clean using a soft sponge or cloth with warm soapy water or detergent. Never use abrasive brushes or scourer pads to clean products. Rinse with water immediately after using any cleaning solution |

For more information call 1800 BATHROOM (1800 228 476) or visit [raymor.com.au](http://raymor.com.au)

© Registered trademark of Tradelink. All dimensions are in millimetres. Dimensions are approximate and should be checked against the physical product before installation. Changes may be made to this specification without notice due to our commitment to continual improvement. See [raymor.com.au](http://raymor.com.au) for full warranty details.

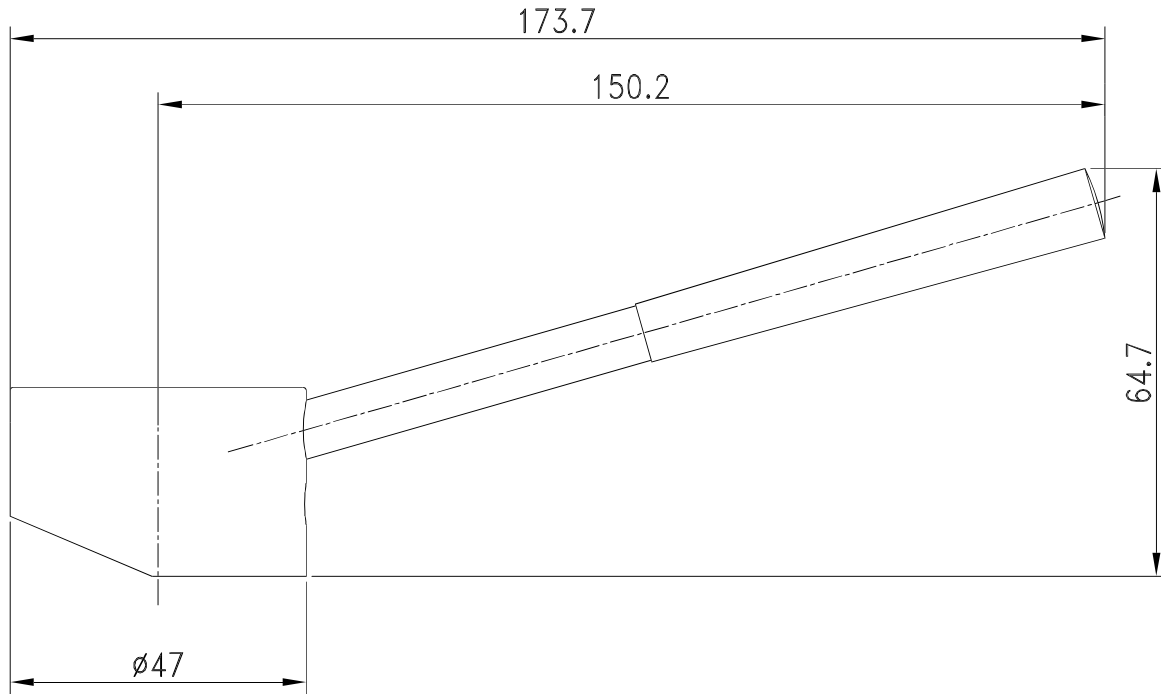
All dimensions in mm.

Version 1

# raymor

# 16 Degree Angled Pin Lever suits 35mm Black.

Product Code: 285868



For more information call 1800 BATHROOM (1800 228 476) or visit [raymor.com.au](http://raymor.com.au)

© Registered trademark of Tradelink. All dimensions are in millimetres. Dimensions are approximate and should be checked against the physical product before installation. Changes may be made to this specification without notice due to our commitment to continual improvement. See [raymor.com.au](http://raymor.com.au) for full warranty details.

All dimensions in mm.  
Version 1

**raymor**