

## Mecca Twin Shower With Air Shower II

### SPECIFICATION

WELS RATING	3 STAR 9L/MIN
WATERMARK LICENSE	WM-060073
TEMPERATURE RATING	MIN 1°C-MAX 75°C
PRESSURE RATING	MIN 150KPa-MAX 500KPa

### AVAILABLE FINISH

	CHROME NR221905hCH		MATTE BLACK NR221905hMB
	BRUSHED NICKEL NR221905hBN		GUN METAL NR221905hGM
	BRUSHED GOLD NR221905hBG		BRUSHED BRONZE NR221905hBZ
	MATTE WHITE NR221905hMW		

### MAINTENANCE AND CARE

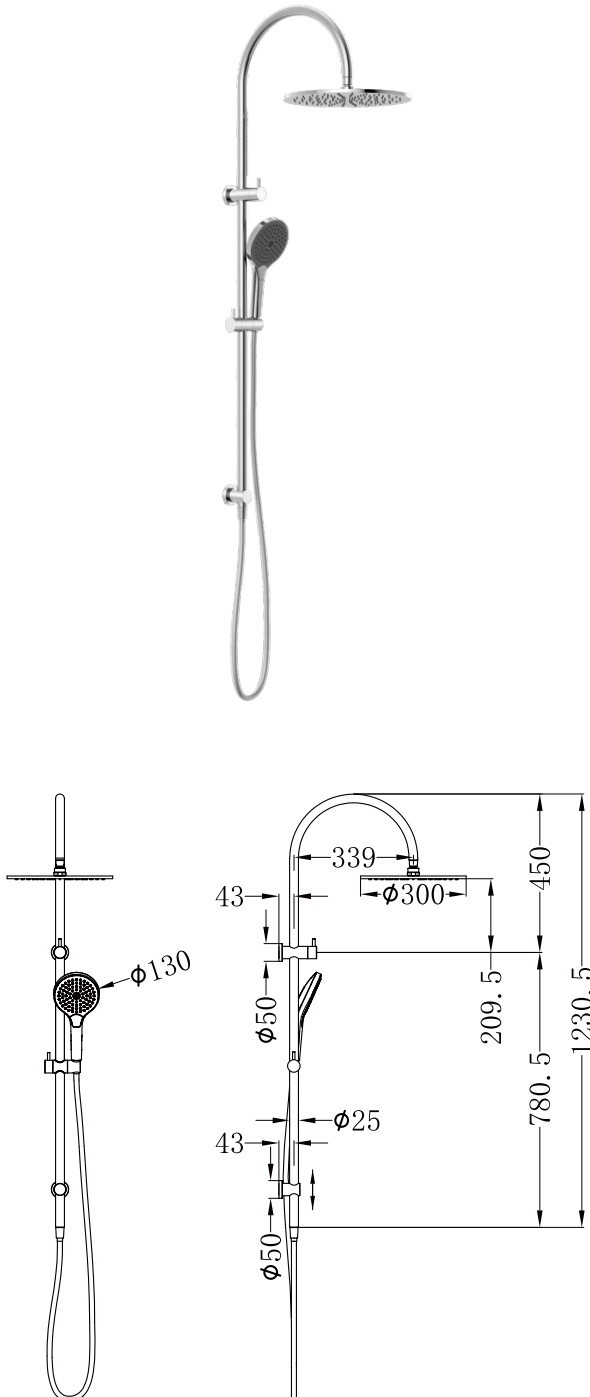
All surfaces should be cleaned with mild liquid detergent or soap and water.

Do not use cream cleaners or citrus based cleaning products, as they are abrasive.

Use of unsuitable cleaning agents may damage the surface. Any damage caused in this way will not be covered by warranty

### PACKING INCLUDES

- 1x hand shower (built-in check valve)
- 1x 1.5m PVC hose
- 1x shower rail
- 1x shower head



Dimensions are nominal measurements only.

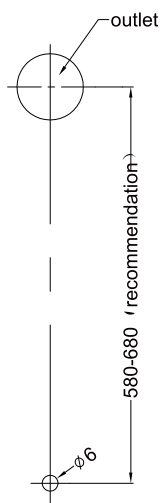


Versions: V1

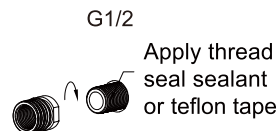
## Important

All products must be installed by licensed plumbers.

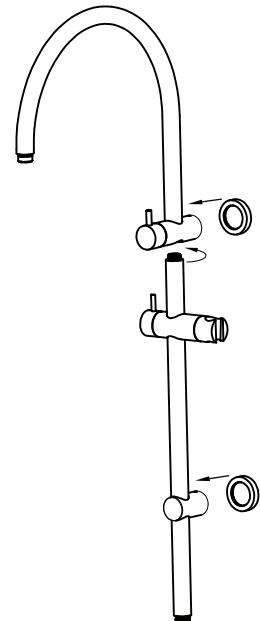
All pipework must be thoroughly flushed prior to installation, as foreign materials may block the flow regulating device and reduce the flow of water.



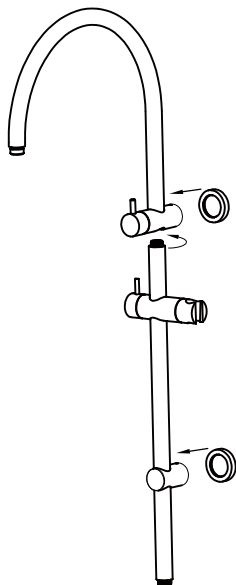
1. Drill a  $\phi 6$ mm hole at the downwards outlet vertical downward position in the recommendation range.



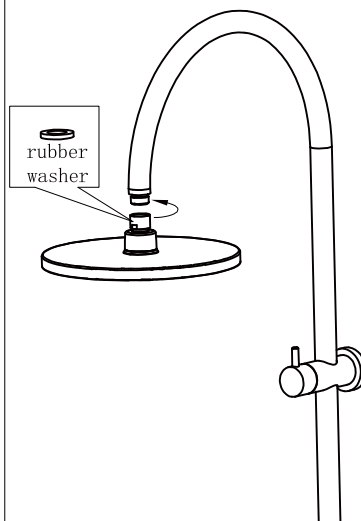
2. Screw the adapter onto the outlet. Push wall plug into drilled hole. Fit lower mounting pillar in place with screw. Tighten firmly.



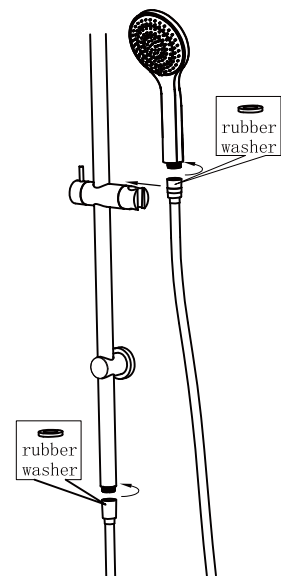
3. Screw shower rail into shower arm component. Tighten firmly. Push 2 back plates onto shower arm component and lower mounting pillar.



4. Locate and push shower rail assembly onto wall adaptors. Tighten grub screws firmly with allen key provided. Slide the back plates against the wall/tile face properly.



5. Screw shower head to shower arm with care. (Note the rubber washer in the shower head.)



6. Please noted the rubber washer in the hand shower. Connect shower rail and hand shower with hose. TEST & CHECK FOR LEAKS.