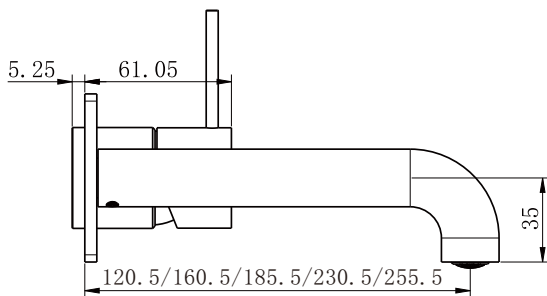
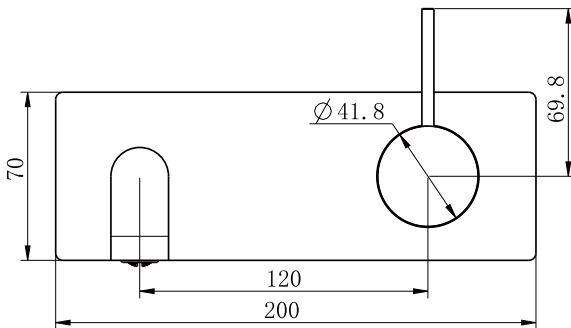
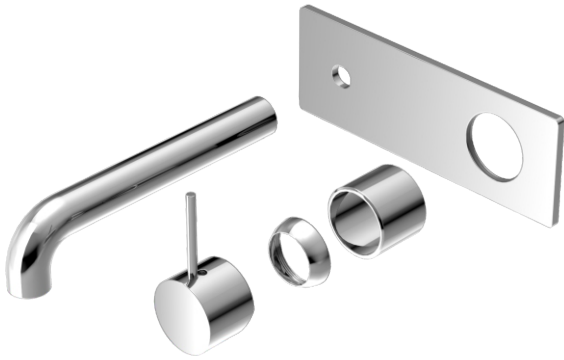


Mecca Wall Basin Mixer Handle Up Trim Kits



Dimensions are nominal measurements only.

SPECIFICATION

WELS RATING	5 STAR 6L/MIN
WATERMARK LICENSE	WM-060073
TEMPERATURE RATING	MIN 1°C-MAX 75°C
PRESSURE RATING	MIN 150KPa-MAX 500KPa

FINISH

	CHROME NR221910b120/160/185/230/260tCH		MATTE BLACK NR221910b120/160/185/230/260tMB
	BRUSHED NICKEL NR221910b120/160/185/230/260tBN		GUN METAL NR221910b120/160/185/230/260tGM
	BRUSHED GOLD NR221910b120/160/185/230/260tBG		BRUSHED BRONZE NR221910b120/160/185/230/260tBZ
	MATTE WHITE NR221910b120/160/185/230/260tMW		

MAINTENANCE AND CARE

All surfaces should be cleaned with mild liquid detergent or soap and water.

Do not use cream cleaners or citrus based cleaning products, as they are abrasive.

Use of unsuitable cleaning agents may damage the surface. Any damage caused in this way will not be covered by warranty.

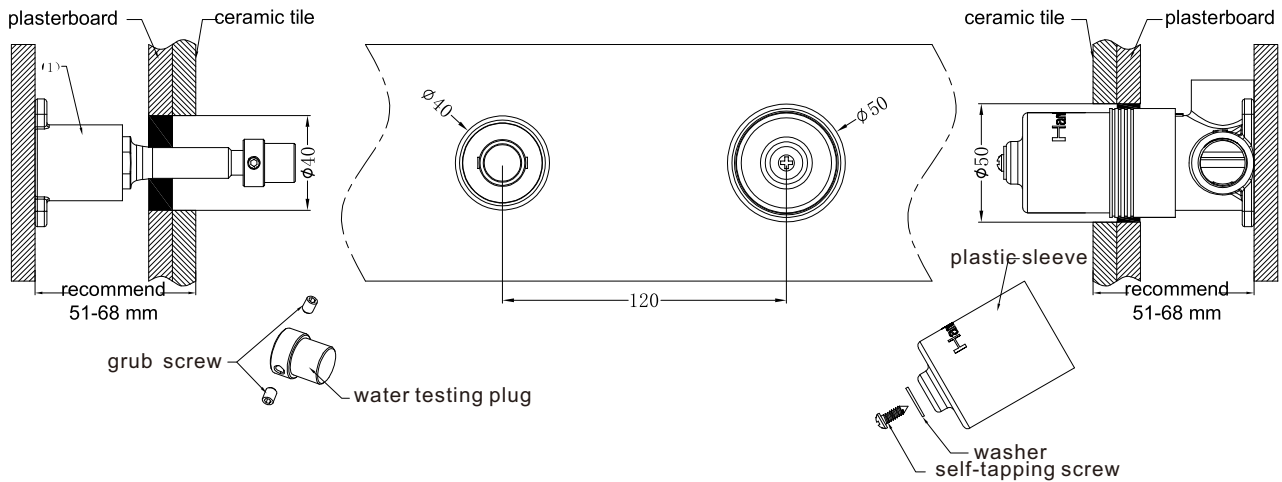
PACKING INCLUDES

- 1x spout
- 1x plate
- 1x handle
- 1x cartridge bell
- 1x dressing ring

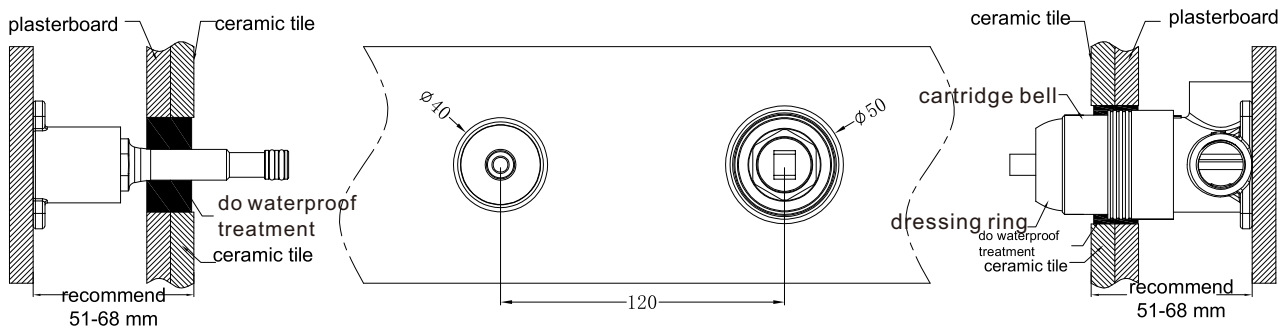


Versions: V2

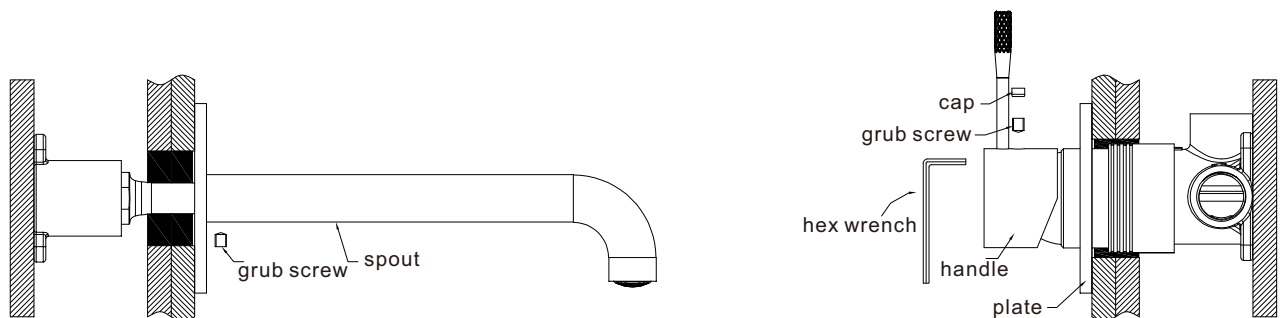
Installation Instruction



1. Install ceramic tile after drilling a $\phi 50$ and a $\phi 40$ hole according to above picture.
2. Remove self-tapping screw, washer, plastic sleeve, grub screw and water testing plug.



3. Put on cartridge bell.
4. Screw on dressing ring.
5. Do waterproof treatment for the gap between ceramic tile and cartridge bell and gap between ceramic tile and spout.



6. Put plate onto body.
7. Put washer onto cartridge stick, put on handle and tighten grub screw of handle firmly by hex wrench, put cap into handle.
8. Install spout onto body, tighten grub screw of spout firmly by hex wrench.