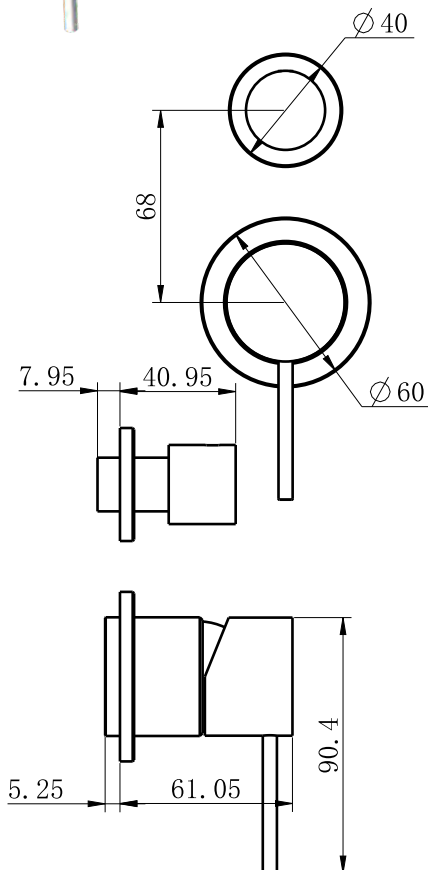


Mecca Shower Mixer With Divertor Separate Back Plate Trim Kits



Dimensions are nominal measurements only.



Versions: V1

SPECIFICATION

WELS RATING	N/A
WATERMARK LICENSE	WM-060073
TEMPERATURE RATING	MIN 1°C-MAX 75°C
PRESSURE RATING	MIN 150KPa-MAX 500KPa

FINISH

	CHROME NR221911STCH		MATTE BLACK NR221911STMB
	BRUSHED NICKEL NR221911STBN		GUN METAL NR221911STGM
	BRUSHED GOLD NR221911STBG		BRUSHED BRONZE NR221911STBZ
	MATTE WHITE NR221911STMW		

MAINTENANCE AND CARE

All surfaces should be cleaned with mild liquid detergent or soap and water.

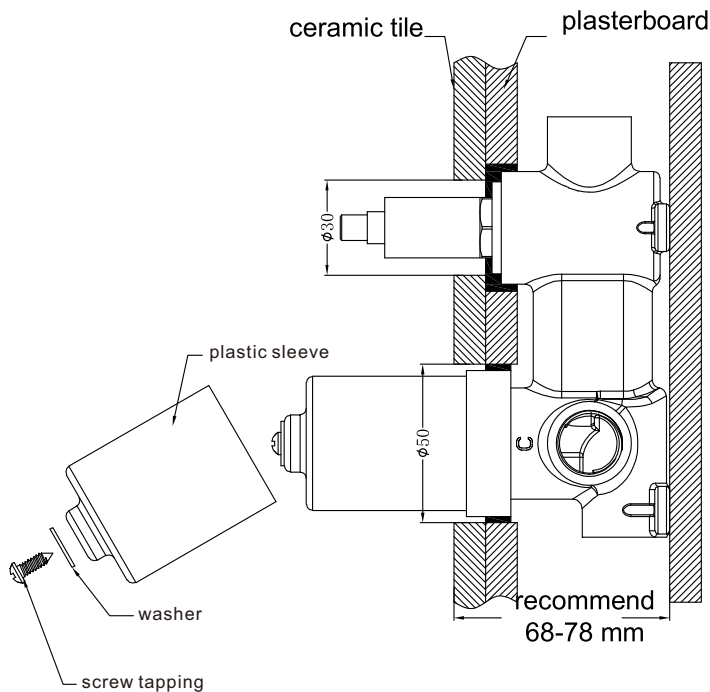
Do not use cream cleaners or citrus based cleaning products, as they are abrasive.

Use of unsuitable cleaning agents may damage the surface. Any damage caused in this way will not be covered by warranty

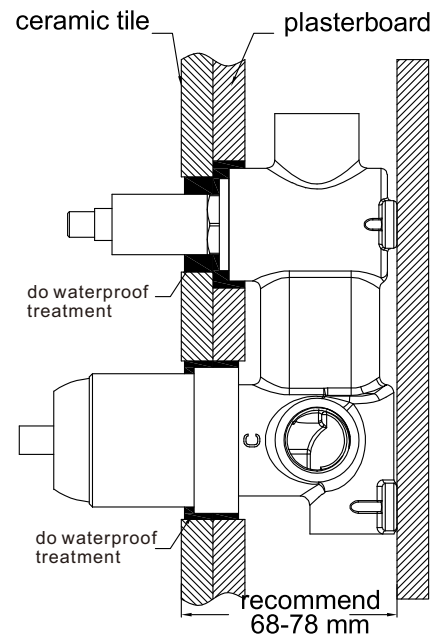
PACKING INCLUDES

- 2x plates
- 1x handle
- 1x knob
- 1x sleeve
- 1x cartridge bell
- 1x dressing ring

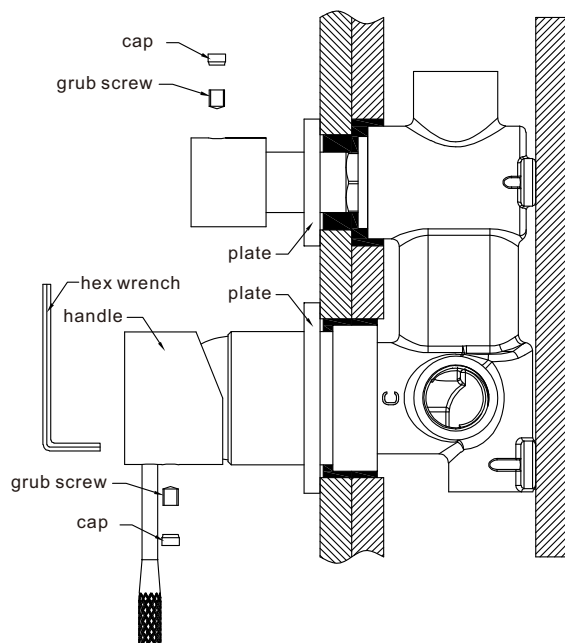
Installation Instruction



1. Install ceramic tile after drilling a $\phi 50$ and a $\phi 30$ hole according to above picture.
2. Take off self-tapping screw, washer, plastic sleeve.



3. Put on cartridge bell and sleeve.
4. Screw on dressing ring.
5. Do waterproof treatment for gap between ceramic tile and cartridge bell, sleeve.



6. Put plates onto body.
7. Put washer onto cartridge stick, install handle, tighten grub screw of handle firmly by hex wrench, put cap into handle.
8. Put knob onto diverter cartridge, tighten grub screw of knob firmly by hex wrench, put cap into knob.