

## Mecca Shower Mixer Divertor System Separate Back Plate Trim Kits

### SPECIFICATION

WELS RATING	4 STAR 7.5L/MIN
WATERMARK LICENSE	WM-060073
TEMPERATURE RATING	MIN 1°C-MAX 75°C
PRESSURE RATING	MIN 150KPa-MAX 500KPa

### FINISH

	CHROME NR221912FTCH		MATTE BLACK NR221912FTMB
	BRUSHED NICKEL NR221912FTBN		GUN METAL NR221912FTGM
	BRUSHED GOLD NR221912FTBG		BRUSHED BRONZE NR221912FTBZ
	MATTE WHITE NR221912FTMW		

### MAINTENANCE AND CARE

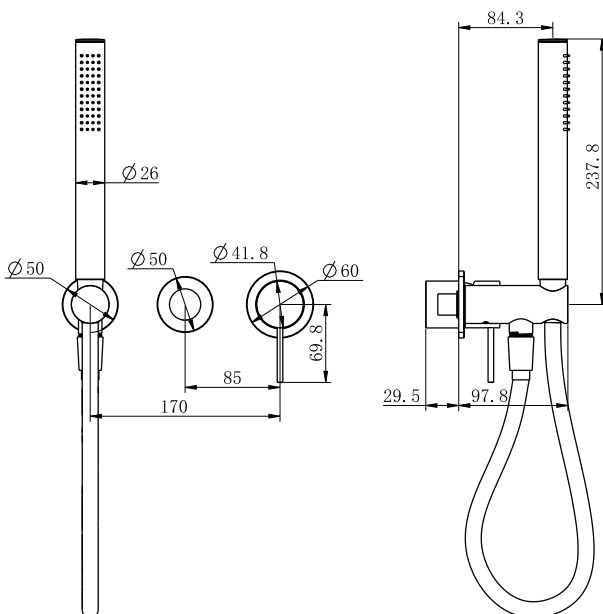
All surfaces should be cleaned with mild liquid detergent or soap and water.

Do not use cream cleaners or citrus based cleaning products, as they are abrasive.

Use of unsuitable cleaning agents may damage the surface. Any damage caused in this way will not be covered by warranty

### PACKING INCLUDES

- 3x plates
- 1x handle
- 1x cartridge bell
- 1x dressing ring
- 1x hand shower
- 1x hose
- 1x bracket
- 1x knob
- 1x sleeve

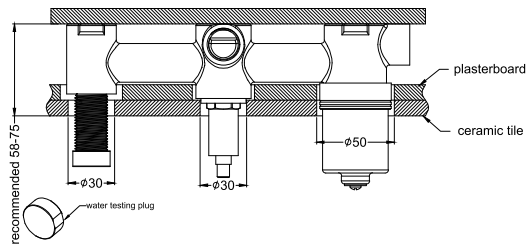


Dimensions are nominal measurements only.

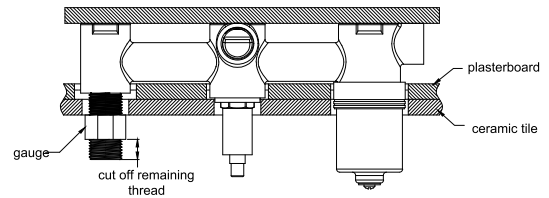


Versions: V1

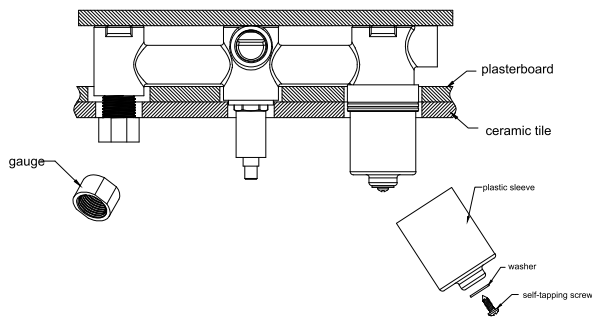
## Installation Instruction



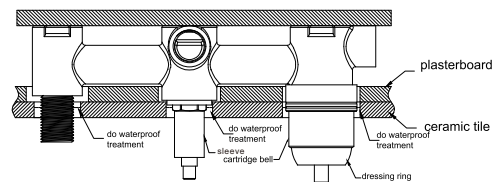
1. Install ceramic tile after drilling a  $\phi 50$  hole and two  $\phi 30$  holes.
2. Take off water testing plug.



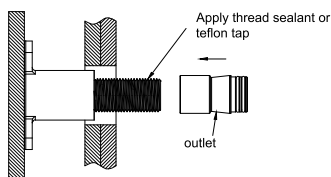
3. Put gauge onto outlet successively as above picture. Cut off remaining thread against to the cut off gauge.



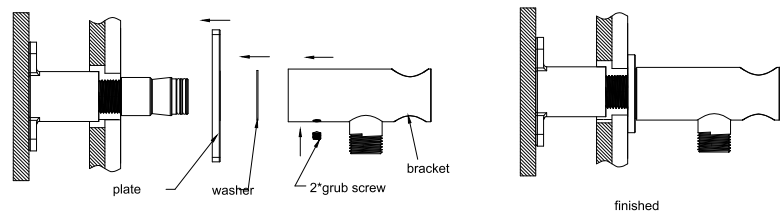
4. Take off gauge, self-tapping screw, washer and plastic sleeve successively.



5. Install cartridge bell and sleeve according to above picture.
6. Do waterproof treatment for gap of ceramic tile and cartridge bell and sleeve.
7. Screw dressing ring onto body.

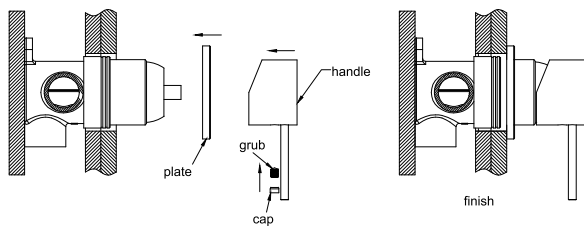


8. Apply thread sealant or teflon tap on outlet thread, tighten outlet onto outlet thread by wrench.

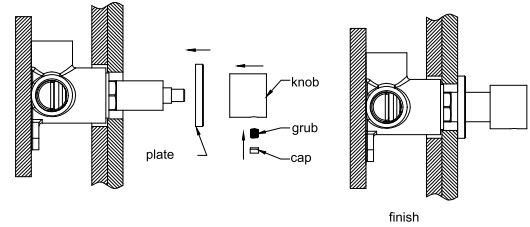


9. Install plate, washer, bracket onto body successively according to above picture.

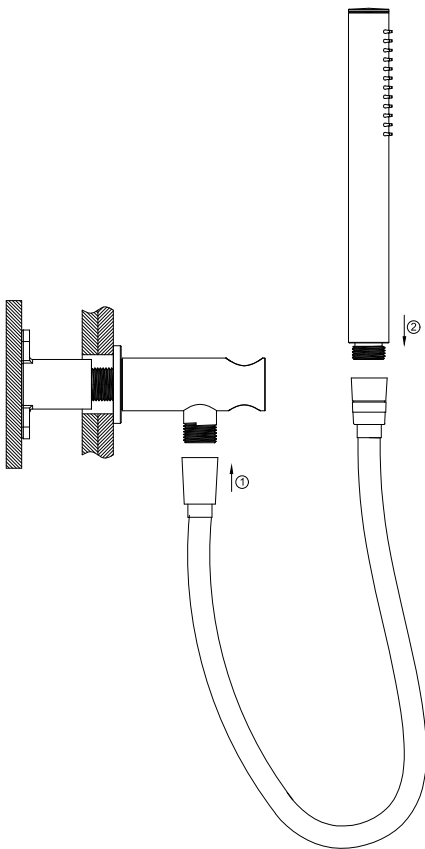
## Installation Instruction



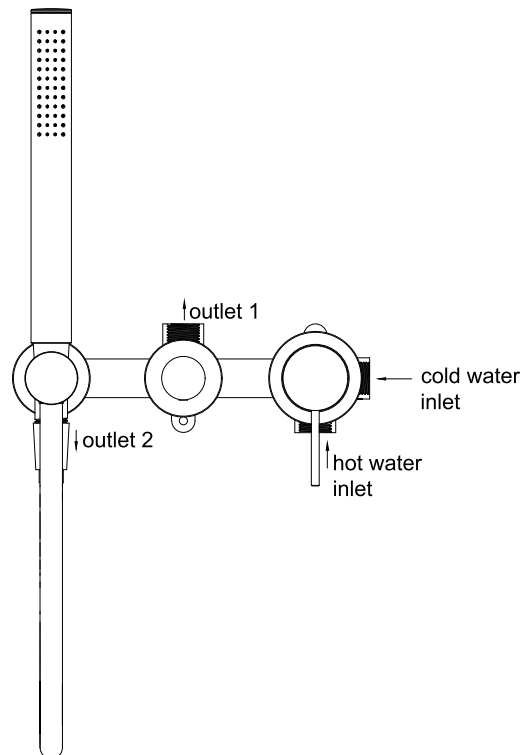
10. Install plate, handle successively according to above picture.



11. Install plate, knob successively according to above picture.



12. Connect bracket and hand shower with hose.



13. TEST & CHECK FOR LEAKS.