

Bianca Wall Basin Mixer 230mm Trim Kits

SPECIFICATION

WELS RATING	6 STAR 4.5L/MIN
WATERMARK LICENSE	WM-060073
TEMPERATURE RATING	MIN 1°C-MAX 75°C
PRESSURE RATING	MIN 150KPa-MAX 500KPa

FINISH

	CHROME NR321510BTCH		MATTE BLACK NR321510BTMB
	BRUSHED NICKEL NR321510BTBN		GUN METAL NR321510BTGM
	BRUSHED GOLD NR321510BTBG		

MAINTENANCE AND CARE

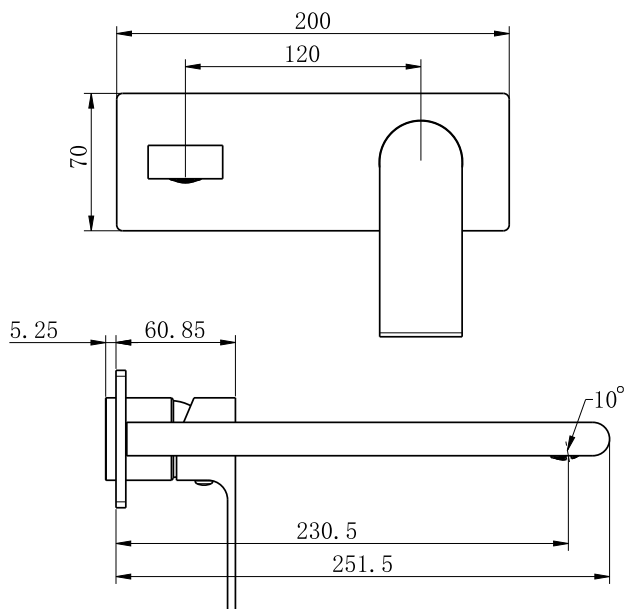
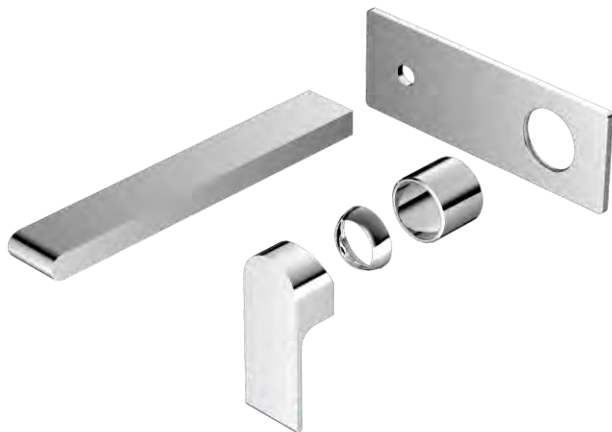
All surfaces should be cleaned with mild liquid detergent or soap and water.

Do not use cream cleaners or citrus based cleaning products, as they are abrasive.

Use of unsuitable cleaning agents may damage the surface. Any damage caused in this way will not be covered by warranty

PACKING INCLUDES

- 1x plate
- 1x handle
- 1x spout
- 1x cartridge bell
- 1x dressing ring

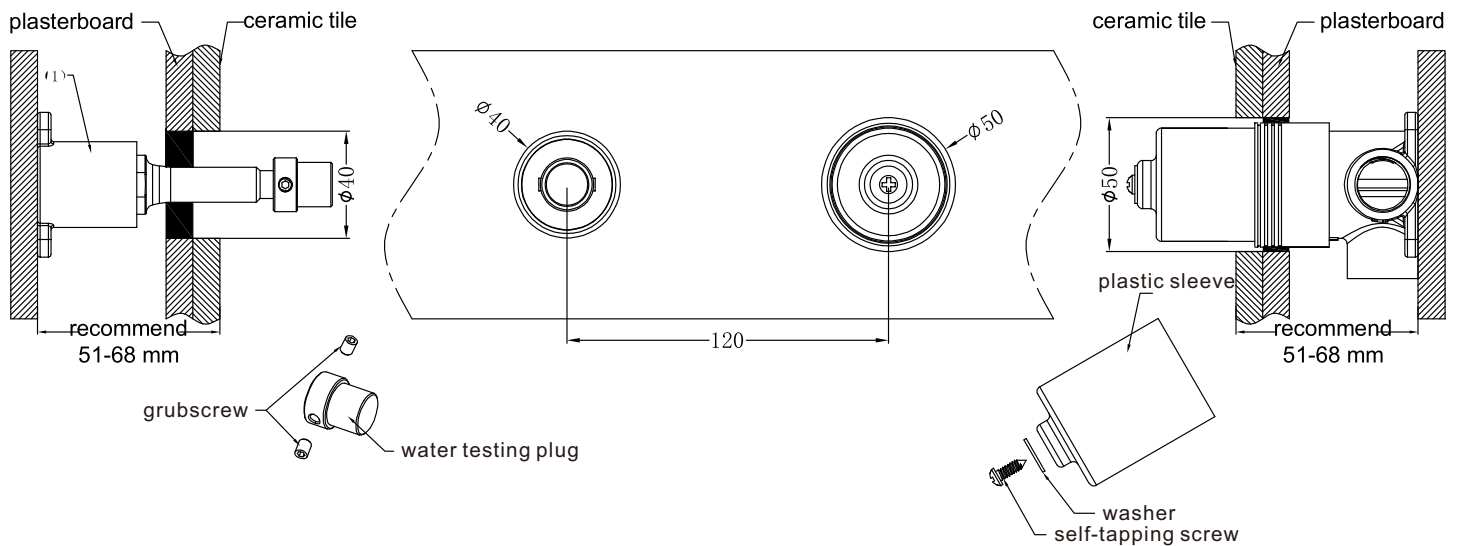


Dimensions are nominal measurements only.

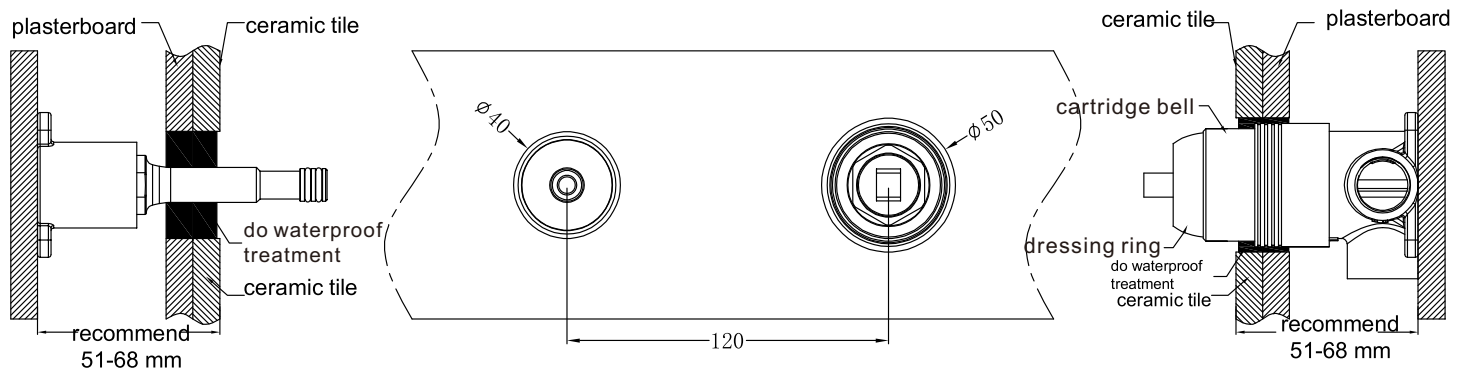


Versions: V1

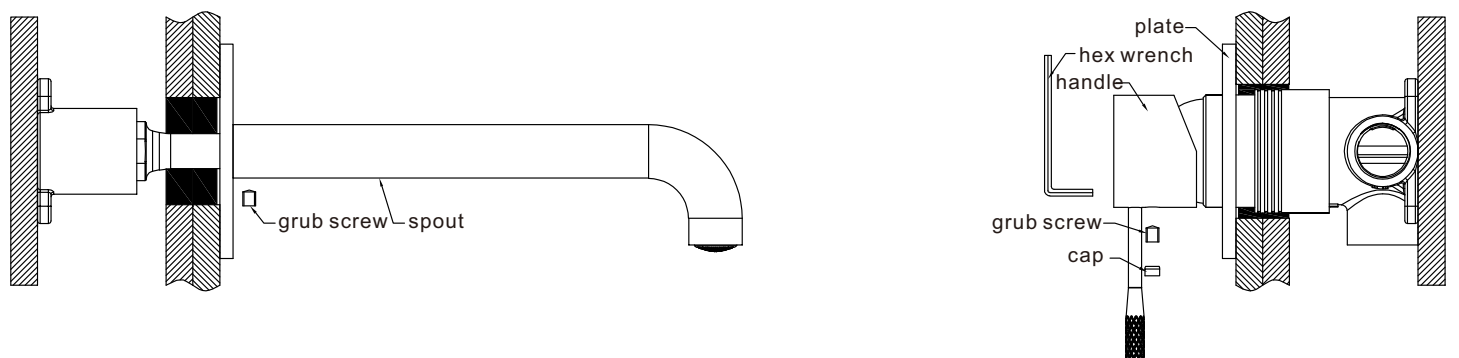
Installation Instruction



1. Install ceramic tile after drilling a $\phi 50$ and a $\phi 40$ hole according to above picture.
2. Remove self-tapping screw, washer, plastic sleeve, grub screw and water testing plug.



3. Put on cartridge bell.
4. Screw on dressing ring.
5. Do waterproof treatment for the gap between ceramic tile and cartridge bell and gap between ceramic tile and spout.



6. Put plate onto body.
7. Put washer onto cartridge stick, put on handle and tighten grub screw of handle firmly by hex wrench, put cap into handle.
8. Install spout onto body, tighten grub screw of spout firmly by hex wrench.