

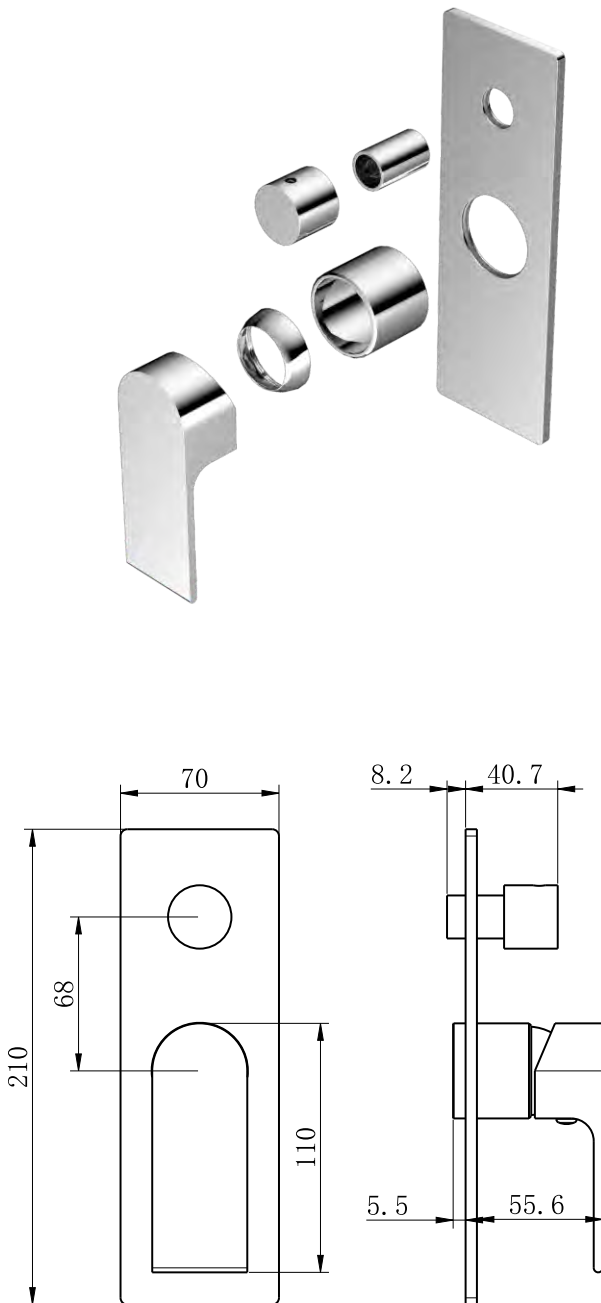
Bianca Shower Mixer With Divertor Trim Kits

SPECIFICATION

WELS RATING	N/A
WATERMARK LICENSE	WM-060073
TEMPERATURE RATING	MIN 1°C-MAX 75°C
PRESSURE RATING	MIN 150KPa-MAX 500KPa

FINISH

	CHROME NR321511ATCH		MATTE BLACK NR321511ATMB
	BRUSHED NICKEL NR321511ATBN		GUN METAL NR321511ATGM
	BRUSHED GOLD NR321511ATBG		



Dimensions are nominal measurements only.

MAINTENANCE AND CARE

All surfaces should be cleaned with mild liquid detergent or soap and water.

Do not use cream cleaners or citrus based cleaning products, as they are abrasive.

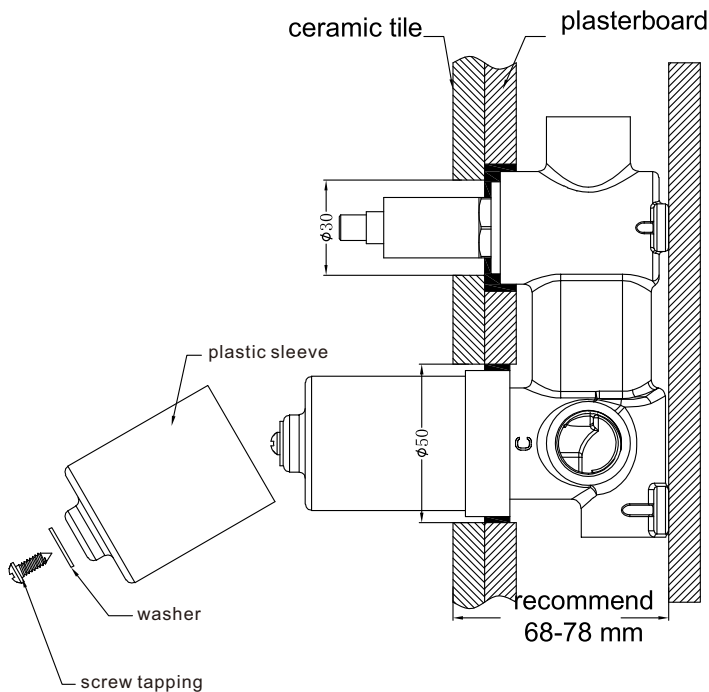
Use of unsuitable cleaning agents may damage the surface. Any damage caused in this way will not be covered by warranty.

PACKING INCLUDES

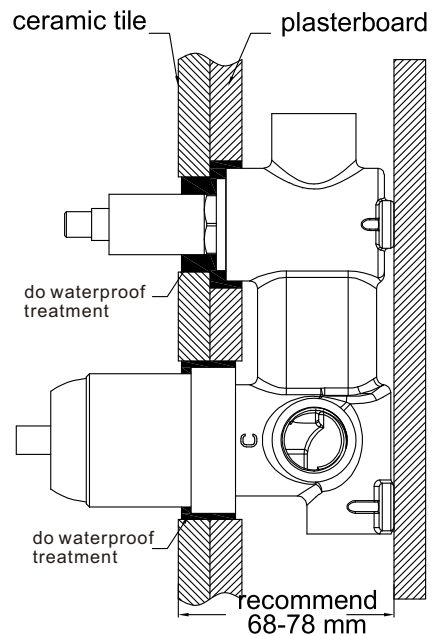
- 1x plate
- 1x handle
- 1x knob
- 1x sleeve
- 1x cartridge bell
- 1x dressing ring



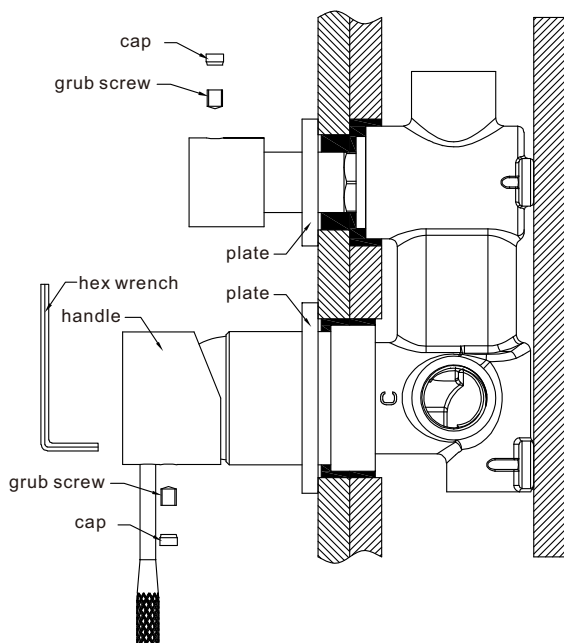
Installation Instruction



1. Install ceramic tile after drilling a $\phi 50$ and a $\phi 30$ hole according to above picture.
2. Take off self-tapping screw, washer, plastic sleeve.



3. Put on cartridge bell and sleeve.
4. Screw on dressing ring.
5. Do waterproof treatment for gap between ceramic tile and cartridge bell, sleeve.



6. Put plates onto body.
7. Put washer onto cartridge stick, install handle, tighten grub screw of handle firmly by hex wrench, put cap into handle.
8. Put knob onto diverter cartridge, tighten grub screw of knob firmly by hex wrench, put cap into knob.